

DDR4 (PC4) ECC VLP RDIMM VR9VRxx72x4xxx

Viking's DDR4 VLP RDIMM memory module offers lower operating voltages, higher module densities and faster speed categories than prior generation DDR3 memory. JEDEC DDR4 (JESD79-4) specification provides higher performance with improved reliability and reduced power, thereby representing a significant achievement relative to previous DRAM memory technologies.

Datasheet	6/29/17
PS9VRxx72x4xxx	Viking Technology
Revision E	Page 1 of 61

REVISION HISTORY

Revision	Release Date	Description of Change	Checked By (Full Name)
X1	9/9/14	Preliminary	IDC (9-9-14)
X2	2/3/15	Revise thickness to JEDEC spec. Add Idd values	IDC (9-11-14)
A	4/2/15	Initial release	IDC (3-16-15)
B	9/22/15	Update Single Rank Block diagram using 18 DRAM's and Dual Rank Block diagram using 36 DRAM's	IDC (9-16-15)
C	6/21/16	add VR9VR4G7224JEXX P/N's for DDP FBGA 2 Rank support	
D	1/12/17	Add VR9VR8G7224JJH 4 rank support mechanical drawing, block diagram and Idd table	
E	6/29/17	Add DDR4-2667 PN's	

Legal Information

Legal Information

Copyright© 2017 Sanmina Corporation. All rights reserved. The information in this document is proprietary and confidential to Sanmina Corporation. No part of this document may be reproduced in any form or by any means or used to make any derivative work (such as translation, transformation, or adaptation) without written permission from Sanmina. Sanmina reserves the right to revise this documentation and to make changes in content from time to time without obligation on the part of Sanmina to provide notification of such revision or change.

Sanmina provides this documentation without warranty, term or condition of any kind, either expressed or implied, including, but not limited to, expressed and implied warranties of merchantability, fitness for a particular purpose, and non-infringement. While the information contained herein is believed to be accurate, such information is preliminary, and should not be relied upon for accuracy or completeness, and no representations or warranties of accuracy or completeness are made. In no event will Sanmina be liable for damages arising directly or indirectly from any use of or reliance upon the information contained in this document. Sanmina may make improvements or changes in the product(s) and/or the program(s) described in this documentation at any time.

Sanmina, Viking Technology, Viking Modular Solutions, and the Viking logo are trademarks of Sanmina Corporation. Other company, product or service names mentioned herein may be trademarks or service marks of their respective owners.

STATEMENT OF COMPLIANCE

Viking Technology, Sanmina Corporation ("Viking") shall use commercially reasonable efforts to provide components, parts, materials, products and processes to Customer that do not contain: (i) lead, mercury, hexavalent chromium, polybrominated biphenyls (PBB) and polybrominated diphenyl ethers (PBDE) above 0.1% by weight in homogeneous material or (ii) cadmium above 0.01% by weight of homogeneous material, except as provided in any exemption(s) from RoHS requirements (including the most current version of the "Annex" to Directive 2002/95/EC of 27 January, 2003), as codified in the specific laws of the EU member countries. Viking strives to obtain appropriate contractual protections from its suppliers in connection with the RoHS Directives.

All printed circuit boards (PCBs) have a flammability rating of UL94V-0.

Datasheet	6/29/17
PS9VRxx72x4xxx	Viking Technology
Revision E	Page 2 of 61

Ordering Information and Module Configuration

Viking Part Number	Voltage	Capacity	Module Configuration	Device Configuration	Device Package	DIMM Rank	Speed	CAS Latency
VR9VR1G7224HBFyz	1.2V	8GB	1Gx72	1024Mx4 (18)	4Gb FBGA	1	PC4-12800	CL11 (11-11-11)
VR9VR1G7224HBGyz	1.2V	8GB	1Gx72	1024Mx4 (18)	4Gb FBGA	1	PC4-14900	CL13 (13-13-13)
VR9VR1G7224HBHyz	1.2V	8GB	1Gx72	1024Mx4 (18)	4Gb FBGA	1	PC4-17000	CL15 (15-15-15)
VR9VR1G7224HBJyz	1.2V	8GB	1Gx72	1024Mx4 (18)	4Gb FBGA	1	PC4-19200	CL17 (17-17-17)
VR9VR1G7224HBKyz	1.2V	8GB	1Gx72	1024Mx4 (18)	4Gb FBGA	1	PC4-21300	CL19 (19-19-19)
VR9VR2G7224HHFyz	1.2V	16GB	2Gx72	1024Mx4 (36)	4Gb BGA Stack	2	PC4-12800	CL11 (11-11-11)
VR9VR2G7224HHGyz	1.2V	16GB	2Gx72	1024Mx4 (36)	4Gb BGA Stack	2	PC4-14900	CL13 (13-13-13)
VR9VR2G7224HHHyz	1.2V	16GB	2Gx72	1024Mx4 (36)	4Gb BGA Stack	2	PC4-17000	CL15 (15-15-15)
VR9VR2G7224HHJ	1.2V	16GB	2Gx72	1024Mx4 (36)	4Gb BGA Stack	2	PC4-19200	CL17 (17-17-17)
VR9VR2G7224JBFyz	1.2V	16GB	2Gx72	2048Mx4 (18)	8Gb FBGA	1	PC4-12800	CL11 (11-11-11)
VR9VR2G7224JBGyz	1.2V	16GB	2Gx72	2048Mx4 (18)	8Gb FBGA	1	PC4-14900	CL13 (13-13-13)
VR9VR2G7224JBHyz	1.2V	16GB	2Gx72	2048Mx4 (18)	8Gb FBGA	1	PC4-17000	CL15 (15-15-15)
VR9VR2G7224JBHyz	1.2V	16GB	2Gx72	2048Mx4 (18)	8Gb FBGA	1	PC4-19200	CL17 (17-17-17)
VR9VR2G7224JBKyz	1.2V	16GB	2Gx72	2048Mx4 (18)	8Gb FBGA	1	PC4-21300	CL19 (19-19-19)
VR9VR4G7224JHFyz	1.2V	32GB	4Gx72	2048Mx4 (36)	8Gb BGA Stack	2	PC4-12800	CL11 (11-11-11)
VR9VR4G7224JHGyz	1.2V	32GB	4Gx72	2048Mx4 (36)	8Gb BGA Stack	2	PC4-14900	CL13 (13-13-13)
VR9VR4G7224JHHyz	1.2V	32GB	4Gx72	2048Mx4 (36)	8Gb BGA Stack	2	PC4-17000	CL15 (15-15-15)
VR9VR4G7224JHJyz	1.2V	32GB	4Gx72	2048Mx4 (36)	8Gb BGA Stack	2	PC4-19000	CL17 (17-17-17)
VR9VR4G7224JEFyz	1.2V	32GB	4Gx72	2048Mx4 (36)	8Gb DDP FBGA	2	PC4-12800	CL11 (11-11-11)
VR9VR4G7224JEGyz	1.2V	32GB	4Gx72	2048Mx4 (36)	8Gb DDP FBGA	2	PC4-14900	CL13 (13-13-13)
VR9VR4G7224JEHyz	1.2V	32GB	4Gx72	2048Mx4 (36)	8Gb DDP FBGA	2	PC4-17000	CL15 (15-15-15)
VR9VR4G7224J EJyz	1.2V	32GB	4Gx72	2048Mx4 (36)	8Gb DDP FBGA	2	PC4-19000	CL17 (17-17-17)
VR9VR4G7224JEKyz	1.2V	32GB	4Gx72	2048Mx4 (36)	8Gb DDP FBGA	2	PC4-21300	CL19 (19-19-19)
VR9VR8G7224JJHyz	1.2V	64GB	8Gx72	(2048Mx4)*2 (36)	DDP BGA Stack	4	PC4-17000	CL15 (15-15-15)

Notes:

- The lowercase letters y and z are wildcard characters that indicate DRAM vendor and die revisions and /or for customer specific locked BOMs. Refer to the Viking part number coversheet for details.

1.

Datasheet	6/29/17
PS9VRxx72x4xxx	Viking Technology
Revision E	Page 3 of 61

Features

- JEDEC Standard Power Supply
 - PC4: VDD = VDDQ = 1.2V± 5% (1.14V-1.26V)
 - External VPP = 2.5 Volt +10%, -5%
 - VDDSPD = 2.5V± 10% (2.25-2.75V)
- 288 pin Dual-In-Line Memory Module
- Edge finger connector ramp zone to reduce insertion force
- Point-to-Point topology to reduce loading
- Pseudo-open drain (POD12) DQ lines
- Write DQ CRC (Cyclic Redundancy Check)
- Internally generated VrefDQ
- ECC recovery from command and parity errors
- On-chip CA Parity detection for the command/address bus
- Programmable CAS Latency: 11,12,13,14,15,17
- Programmable CAS Write Latency (CWL).
- Programmable Additive Latency (Posted CAS)
- Per DRAM addressability is supported
- One load for address/command signals using a Registered Clock Driver (RCD)
 - Selectable Fixed burst chop (BC4) of 4 and burst length (BL8) of 8 on-the-fly (OTF) via the mode register set (MRS)
 - 8n prefetch with 2 or 4 selectable bank groups: 16 banks (4 bank groups x 4 banks per bank group)
 - Separate activation, read, write, refresh operations for each bank group
 - 7 mode registers
 - Dynamic On-Die-Termination (ODT) and ODT Park for improved signal integrity.
 - Self Refresh and several Power Down Modes
 - DLL-off mode for power savings
 - ZQ pin Self Calibration for output driver and ODT
 - System Level Timing Calibration Support via Write Leveling and Multi Purpose Register (MPR) Read Pattern
 - Serial Presence Detect with EEPROM
 - On-DIMM Thermal Sensor
 - Asynchronous Reset
 - Bidirectional Differentially Buffered Data Strokes(DQS)
 - RDIMM dimensions within JEDEC MO-309 maximum limits
 - RoHS Compliant

DDR4 SPEED BIN Nomenclature

Module Standard	SDRAM Standard	Clock
PC4-12800	DDR4-1600	800 MHz
PC4-14900	DDR4-1866	933 MHz
PC4-17000	DDR4-2133	1066 MHz
PC4-19200 ¹	DDR4-2400	1200 MHz
PC4-21300 ¹	DDR4-2667	1333 MHz
PC4-25600 ¹	DDR4-3200	1600 MHz

Notes:

1. Contact Viking for availability date

DDR4 Timing Summary

MT/s	tCK (ns)	CAS Latency (tCK)	tRCD (ns)	tRP (ns)	tRAS (ns)	tRC (ns)	CL-tRCD-tRP
DDR4-1600	1.25	11	13.75	13.75	35	48.75	11-11-11
DDR4-1866	1.071	13	13.92	13.92	34	47.92	13-13-13
DDR4-2133	0.93	15	14.06	14.06	33	47.06	15-15-15
DDR4-2400	0.83	17	14.16	14.16	32	46.16	17-17-17

Notes:

- CL = CAS Latency, tRCD = Activate –to-Command Time, tRP = Precharge Time. Refer to Speed Bin tables for details

Datasheet	6/29/17
PS9VRxx72x4xxx	Viking Technology
Revision E	Page 4 of 61

Addressing

		8GB(1Rx4) 1024x4 DRAM	16GB(2Rx4) 1024x4 DRAM	32GB(2Rx4) 2048Mx4 DRAM
Bank Address	# of Bank Groups	4	4	4
	BG Address	BG0~BG1	BG0~BG1	BG0~BG1
	Bank Address in a BG	BA0~BA1	BA0~BA1	BA0~BA1
Row Address		64K:A0~A15	64K:A0~A15	128K:A0~A16
Column Address		A0~ A9	A0~ A9	A0~ A9
Page size		512B	512B	512B
Refresh Count		8K	8K	8K

Note:

- Micron datasheet specified 512B / 1KB as page size with “Die revision dependant”.
- In Hynix and Samsung Datasheet specifies 512B for x4 Device.

Datasheet	6/29/17
PS9VRxx72x4xxx	Viking Technology
Revision E	Page 5 of 61

DDR4 288-pin RDIMM Pin Wiring Assignments/Configurations

Pin#	Description	Pin#	Description	Pin#	Description	Pin#	Description	Pin#	Description	Pin#	Description
1	12V NC	145	12V NC	52	DQS17_c	196	DQS8_c	102	DQ38	246	VSS
2	VSS	146	VREFCA	53	VSS	197	DQS8_t	103	VSS	247	DQ39
3	DQ4	147	VSS	54	CB6	198	VSS	104	DQ34	248	VSS
4	VSS	148	DQ5	55	VSS	199	CB7	105	VSS	249	DQ35
5	DQ0	149	VSS	56	CB2	200	VSS	106	DQ44	250	VSS
6	VSS	150	DQ1	57	VSS	201	CB3	107	VSS	251	DQ45
7	DQS9_t	151	VSS	58	RESET_n	202	VSS	108	DQ40	252	VSS
8	DQS9_c	152	DQS0_c	59	VDD	203	CKE1	109	VSS	253	DQ41
9	VSS	153	DQS0_t	60	CKE0	204	VDD	110	DQS14_t	254	VSS
10	DQ6	154	VSS	61	VDD	205	RFU	111	DQS14_c	255	DQS5_c
11	VSS	155	DQ7	62	ACT_n	206	VDD	112	VSS	256	DQS5_t
12	DQ2	156	VSS	63	BG0	207	BG1	113	DQ46	257	VSS
13	VSS	157	DQ3	64	VDD	208	ALERT_n	114	VSS	258	DQ47
14	DQ12	158	VSS	65	A12/BC_n	209	VDD	115	DQ42	259	VSS
15	VSS	159	DQ13	66	A9	210	A11	116	VSS	260	DQ43
16	DQ8	160	VSS	67	VDD	211	A7	117	DQ52	261	VSS
17	VSS	161	DQ9	68	A8	212	VDD	118	VSS	262	DQ53
18	DQS10_t	162	VSS	69	A6	213	A5	119	DQ48	263	VSS
19	DQS10_c	163	DQS1_c	70	VDD	214	A4	120	VSS	264	DQ49
20	VSS	164	DQS1_t	71	A3	215	VDD	121	DQS15_t	265	VSS
21	DQ14	165	VSS	72	A1	216	A2	122	DQS15_c	266	DQS6_c
22	VSS	166	DQ15	73	VDD	217	VDD	123	VSS	267	DQS6_t
23	DQ10	167	VSS	74	CK0_t	218	CK1_t	124	DQ54	268	VSS
24	VSS	168	DQ11	75	CK0_c	219	CK1_c	125	VSS	269	DQ55
25	DQ20	169	VSS	76	VDD	220	VDD	126	DQ50	270	VSS
26	VSS	170	DQ21	77	VTT	221	VTT	127	VSS	271	DQ51
27	DQ16	171	VSS	78	EVENT_n	222	PARITY	128	DQ60	272	VSS
28	VSS	172	DQ17	79	A0	223	VDD	129	VSS	273	DQ61
29	DQS11_t	173	VSS	80	VDD	224	BA1	130	DQ56	274	VSS
30	DQS11_c	174	DQS2_c	81	BA0	225	A10/AP	131	VSS	275	DQ57
31	VSS	175	DQS2_t	82	RAS_n/A16	226	VDD	132	DQS16_t	276	VSS
32	DQ22	176	VSS	83	VDD	227	RFU	133	DQS16_c	277	DQS7_c
33	VSS	177	DQ23	84	S0_n	228	WE_n/A14	134	VSS	278	DQS7_t
34	DQ18	178	VSS	85	VDD	229	VDD	135	DQ62	279	VSS
35	VSS	179	DQ19	86	CAS_n/A15	230	NC	136	VSS	280	DQ63
36	DQ28	180	VSS	87	ODT0	231	VDD	137	DQ58	281	VSS

Datasheet	6/29/17
PS9VRxx72x4xxx	Viking Technology
Revision E	Page 6 of 61

Pin#	Description	Pin#	Description	Pin#	Description	Pin#	Description	Pin#	Description	Pin#	Description
37	VSS	181	DQ29	88	VDD	232	A13	138	VSS	282	DQ59
38	DQ24	182	VSS	89	S1_n	233	VDD	139	SA0	283	VSS
39	VSS	183	DQ25	90	VDD	234	A17 NC	140	SA1	284	VDDSPD
40	DQS12_t	184	VSS	91	ODT1	235	C[2] NC	141	SCL	285	SDA
41	DQS12_c	185	DQS3_c	92	VDD	236	VDD	142	VPP	286	VPP
42	VSS	186	DQS3_t	93	S2_n C[0]	237	S3_n C[1]	143	VPP	287	VPP
43	DQ30	187	VSS	94	VSS	238	SA2	144	RFU	288	VPP
44	VSS	188	DQ31	95	DQ36	239	VSS				
45	DQ26	189	VSS	96	VSS	240	DQ37				
46	VSS	190	DQ27	97	DQ32	241	VSS				
47	CB4	191	VSS	98	VSS	242	DQ33				
48	VSS	192	CB5 NC	99	DQS13_t	243	VSS				
49	CB0	193	VSS	100	DQS13_c	244	DQS4_c				
50	VSS	194	CB1	101	VSS	245	DQS4_t				
51	DQS17_t	195	VSS								

Notes:

- Pin 230 is defined as NC for UDIMMs, RDIMMs and LRDIMMs. Pin 230 is defined as SAVE_n (ADR) for NVDIMMs.
- A15 needed for 4Gbit DRAM, A16 needed for 8Gbit DRAM, A17 needed for 16Gbit DRAM
- DDR4 pin-out include the following additional pins beyond DDR3: Vpp, ACT_n, A17, BG0, BG1, Alert_n.
- The following DDR3 pins are no longer required for DDR4: BC#, BA2, VREFDQ
- Address A17 is only valid for 16Gbit DRAM
- RAS_n is a multiplexed function with A16. (A16 needed for 8Gbit DRAM)
- CAS_n is a multiplexed function with A15. (A15 needed for 4Gbit DRAM)
- WE_n is a multiplexed function with A14

Datasheet	6/29/17
PS9VRxx72x4xxx	Viking Technology
Revision E	Page 7 of 61

PIN FUNCTION DESCRIPTION

PIN NAME	DESCRIPTION	PIN NAME	DESCRIPTION
A0 - A17'	Register address input	SCL	I2C serial bus clock for SPD/TS and register
BA0, BA1	Register bank select input	SDA	I2C serial bus data line for SPD/TS and register
BG0, BG1	Register bank group select input	SA0-SA2	I2C slave address select for SPD/TS and register
RAS_n ²	Register row address strobe input	PAR	Register parity input
CAS_n ³	Register column address strobe input	VDD	SDRAM core power supply
WE_n ⁴	Register write enable input		
CS0_n, CS1_n, CS2_n, CS3_n	DIMM Rank Select Lines input		
CKE0, CKE1	Register clock enable lines input	VREFCA	SDRAM command/address reference supply
ODT0, ODT1	Register on-die termination control lines input	VSS	Power supply return (ground)
ACT_n	Register input for activate input	VDDSPD	Serial Presence Detect positive power supply
DQ0 - DQ63	DIMM memory data bus	ALERT_n	Register ALERT_n output
CB0 - CB7	DIMM ECC check bits	Vpp	DRAM Activation power supply
DQS9_t-DQS17_t	Data Buffer data strobes (positive line of differential pair)		
DQS9_c-DQS17_c	Data Buffer data strobes (negative line of differential pair)	RESET_n	Set Register and SDRAMs to a known state
		EVENT_n	SPD signals a thermal event has occurred.
CK0_t, CK1_t	Register clock input (positive line of differential pair)	Vtt	SDRAM I/O termination supply
CK0_c, CK1_c	Register clocks input (negative line of differential pair)	RFU	Reserved for future use

Notes:

1. Address A17 is only valid for 16Gbit DRAM
2. RAS_n is a multiplexed function with A16. (A16 needed for 8Gbit DRAM)
3. CAS_n is a multiplexed function with A15. (A15 needed for 4Gbit DRAM)
4. WE_n is a multiplexed function with A14

Datasheet	6/29/17
PS9VRxx72x4xxx	Viking Technology
Revision E	Page 8 of 61

Input/Output Functional Descriptions

SYMBOL	TYPE	FUNCTION
CK_t, CK_c	Input	Clock: CK_t and CK_c are differential clock inputs. All address and control input signals are sampled on the crossing of the positive edge of CK_t and negative edge of CK_c.
CKE0, (CKE1)	Input	Clock Enable: CKE HIGH activates, and CKE Low deactivates, internal clock signals and device input buffers and output drivers. Taking CKE Low provides Precharge Power-Down and Self-Refresh operation (all banks idle), or Active Power-Down (row Active in any bank). CKE is asynchronous for Self-Refresh exit. After VREFCA and VREFDQ have become stable during the power on and initialization sequence, they must be maintained during all operations (including Self-Refresh). CKE must be maintained high throughout read and write accesses. Input buffers, excluding CK, CK_c, ODT and CKE, are disabled during power-down. Input buffers, excluding CKE, are disabled during Self-Refresh.
CS0_n, (CS1_n)	Input	Chip Select: All commands are masked when CS_n is registered HIGH. CS_n provides for external Rank selection on systems with multiple Ranks. CS_n is considered part of the command code.
C0, C1, C2	Input	Chip ID: Chip ID is only used for 3DS for 2,4,8high stack via TSV to select each slice of stacked component. Chip ID is considered part of the command code.
ODT0, (ODT1)	Input	On Die Termination: ODT (registered HIGH) enables termination resistance internal to the DDR4 SDRAM. When enabled, ODT is only applied to each DQ, DQS_t, The ODT pin will be ignored if MR1 is programmed to disable RTT_NOM.
ACT_n	Input	Activation Command Input: ACT_n defines the Activation command being entered along with CS_n. The input into RAS_n/A16, CAS_n/A15 and WE_n/A14 will be considered as Row Address A16, A15 and A14.
RAS_n/A16, CAS_n/A15, WE_n/A14	Input	Command Inputs RAS_n/A16, CAS_n/A15 and WE_n/A14 (along with CS_n) define the command being entered. Those pins have multi function. For example, for activation with ACT_n Low, those are Addressing like A16,A15 and A14 but for non-activation command with ACT_n High, those are Command pins for Read, Write and other command defined in command truth table.
BG0 - BG1	Input	Bank Group Inputs: BG0 - BG1 define to which bank group an Active, Read, Write or Precharge command is being applied. BG0 also determines which mode register is to be accessed during a MRS cycle. x4 have BG0 and BG1.
BA0 - BA1	Input	Bank Address Inputs: BA0 - BA1 define to which bank an Active, Read, Write or Precharge command is being applied. Bank address also determines if the mode register or extended mode register is to be accessed during a MRS cycle.
A0 - A17	Input	Address Inputs: Provided the row address for ACTIVATE Commands and the column address for Read/Write commands th select one location out of the memory array in the respective bank. (A10/AP, A12/BC_n, RAS_n/A16, CAS_n/A15 and WE_n/A14 have additional functions, see other rows. The address inputs also provide the op-code during Mode Register Set commands. A17 is only defined for the x4 configuration.

Datasheet	6/29/17
PS9VRxx72x4xxx	Viking Technology
Revision E	Page 9 of 61

SYMBOL	TYPE	FUNCTION
A10 / AP	Input	Auto-precharge: A10 is sampled during Read/Write commands to determine whether Autoprecharge should be performed to the accessed bank after the Read/Write operation. (HIGH: Autoprecharge; LOW: no Autoprecharge). A10 is sampled during a Precharge command to determine whether the Precharge applies to one bank (A10 LOW) or all banks (A10 HIGH). If only one bank is to be precharged, the bank is selected by bank addresses.
A12 / BC_n	Input	Burst Chop: A12 / BC_n is sampled during Read and Write commands to determine if burst chop (on-the-fly) will be performed. (HIGH, no burst chop; LOW: burst chopped). See command truth table for details.
RESET_n	Input	Active Low Asynchronous Reset: Reset is active when RESET_n is LOW, and inactive when RESET_n is HIGH. RESET_n must be HIGH during normal operation. RESET_n is a CMOS rail to rail signal with DC high and low at 80% and 20% of VDD.
DQ	Input / Output	Data Input/ Output: Bi-directional data bus. If CRC is enabled via Mode register then CRC code is added at the end of Data Burst. Any DQ from DQ0~DQ3 may indicate the internal Vref level during test via Mode Register Setting MR4 A4=High. Refer to vendor specific datasheets to determine which DQ is used.
CB	Input / Output	Check Bit Input/ Output: Bi-directional ECC portion of data bus for x72 configurations
DQS_t, DQS_c, DQSL_t, DQSL_c	Input / Output	Data Strobe: output with read data, input with write data. Edge-aligned with read data, centered in write data. The data strobe DQS_t and DQSL_t, are paired with differential signals DQS_c and DQSL_c respectively, to provide differential pair signaling to the system during reads and writes. DDR4 SDRAM supports differential data strobe only and does not support single-ended.
PAR	Input	Command and Address Parity Input: DDR4 Supports Even Parity check in DRAMs with MR setting. Once it's enabled via Register in MR5, then DRAM calculates Parity with ACT_n, RAS_n/A16, CAS_n/A15, WE_n/A14, BG0-BG1, BA0-BA1, A17-A0. Input parity should maintain at the rising edge of the clock and at the same time with command & address with CS_n LOW.
ALERT_n	Output	Alert: It has multi functions such as CRC error flag, Command and Address Parity error flag. If there is error in CRC, then Alert_n goes LOW for the period time interval and goes back HIGH. IF there is error in Command Address Parity Check, then Alert_n goes LOW for relatively long period until on going DRAM internal recovery transaction to complete.
NC		No Connect: No internal electrical connection is present.
VDDQ	Supply	DQ Power Supply: 1.2 V +/- 0.06 V
VSSQ	Supply	DQ Ground
VDD	Supply	Power Supply: 1.2 V +/- 0.06 V
VSS	Supply	Ground
Vpp	Supply	DRAM Activation Power Supply: 2.5V (2.375V min , 2.75 max)
VREFCA	Supply	Reference voltage for CA

Datasheet	6/29/17
PS9VRxx72x4xxx	Viking Technology
Revision E	Page 10 of 61

SYMBOL	TYPE	FUNCTION
ZQ	Supply	Reference Pin for ZQ calibration

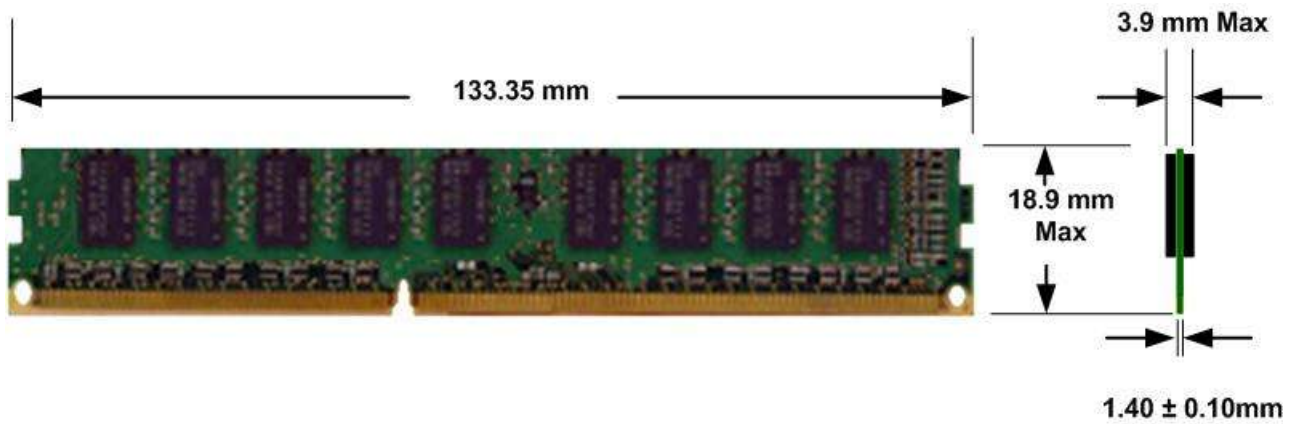
Notes:

1. The input only pins (BG0-BG-1, BA0-BA1, A0-A17, ACT_n, RAS_n/A16, CAS_n/A15, WE_n/A14, CS_n, CKE, ODT, and RESET_n) do not supply termination.

Datasheet	6/29/17
PS9VRxx72x4xxx	Viking Technology
Revision E	Page 11 of 61

MECHANICAL OUTLINE

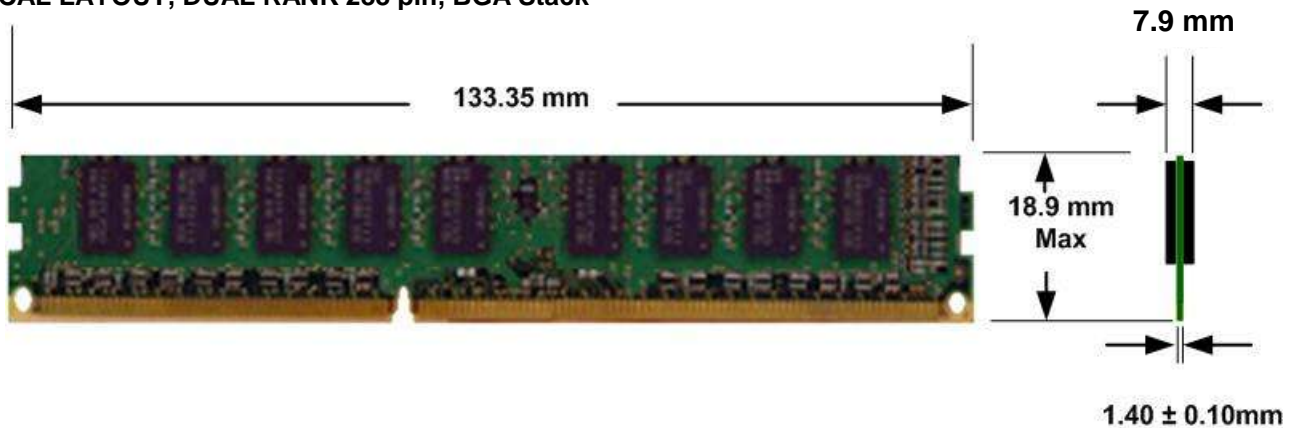
PHYSICAL LAYOUT, SINGLE RANK, 288 pin



Notes:

- All dimensions in mm
- Refer to JEDEC Standard Mechanical Outline MO-309 for other details
- DDR4 PCB is higher and thicker than DDR3 and the gold finger pins may have a ramp zone for easy insertion into DIMM Sockets

PHYSICAL LAYOUT, DUAL RANK 288 pin, BGA Stack



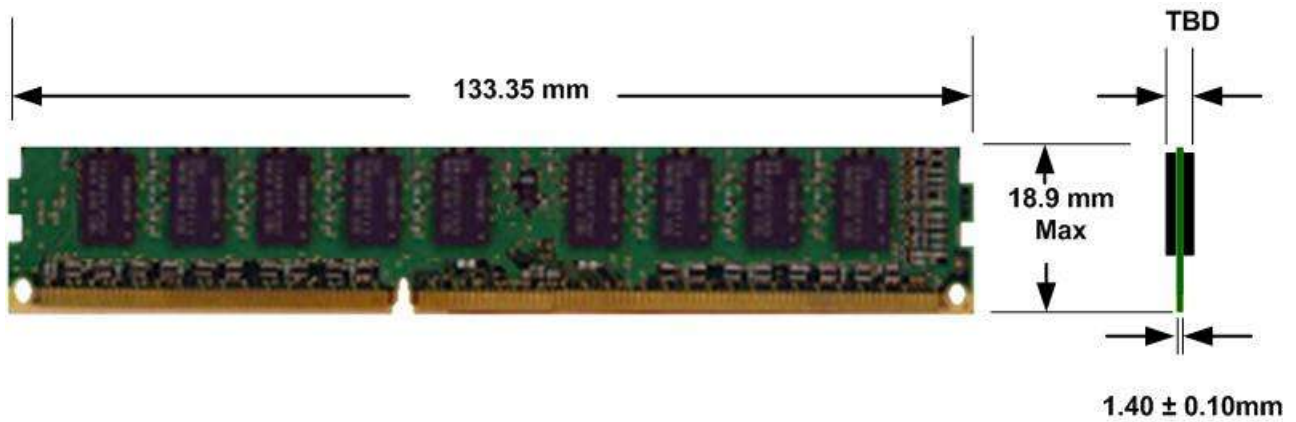
Notes:

- All dimensions in mm (inches)
- Refer to JEDEC Standard Mechanical Outline MO-309 for other details
- DDR4 PCB is higher and thicker than DDR3 and the gold finger pins may have a ramp zone for easy insertion into DIMM Sockets

Datasheet	6/29/17
PS9VRxx72x4xxx	Viking Technology
Revision E	Page 12 of 61

MECHANICAL OUTLINE

PHYSICAL LAYOUT, QUAD RANK, 288 pin, BGA Stack



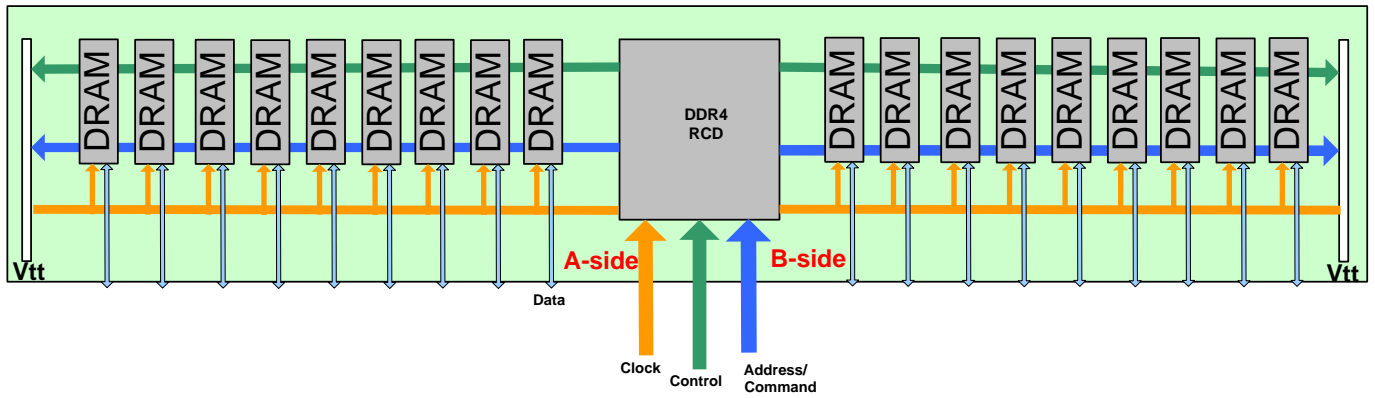
Notes:

- All dimensions in mm (inches)
- Refer to JEDEC Standard Mechanical Outline MO-309 for other details
- DDR4 PCB is higher and thicker than DDR3 and the gold finger pins may have a ramp zone for easy insertion into DIMM Sockets

Datasheet	6/29/17
PS9VRxx72x4xxx	Viking Technology
Revision E	Page 13 of 61

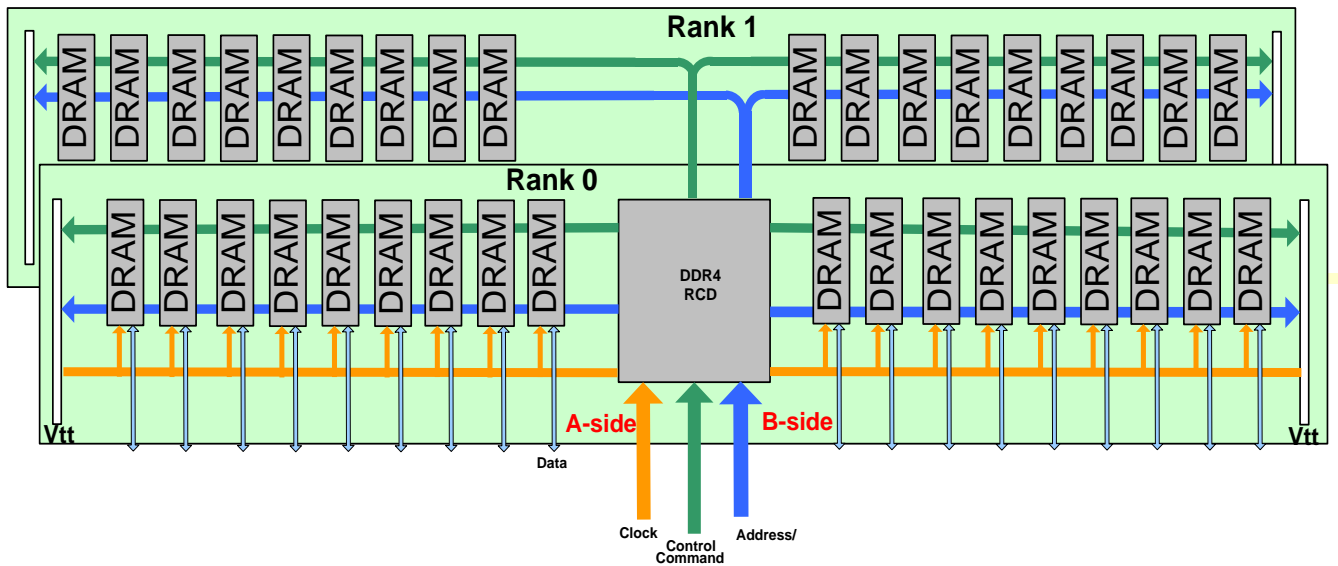
FUNCTIONAL BLOCK DIAGRAM

BLOCK DIAGRAM, SINGLE RANK



DDR4 HOST MEMORY INTERFACE

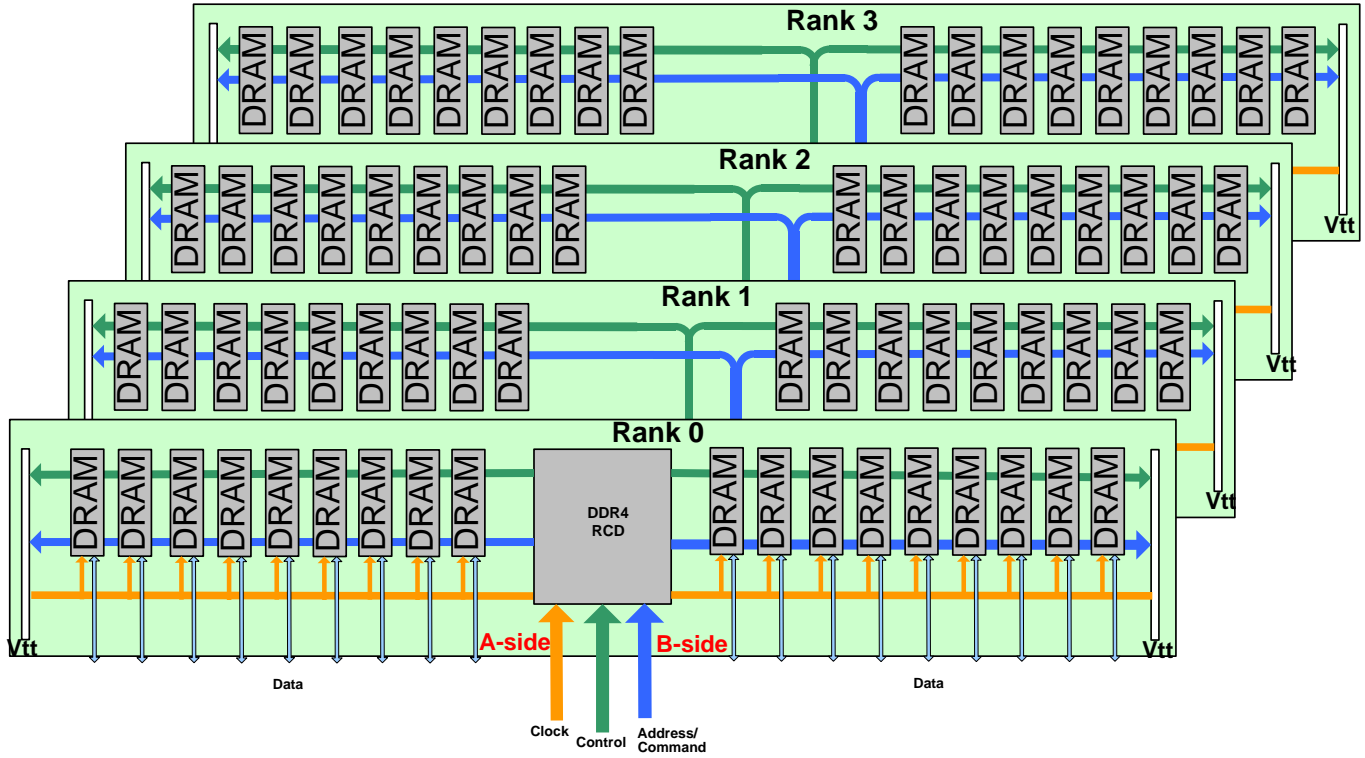
BLOCK DIAGRAM, DUAL RANK



DDR4 HOST MEMORY INTERFACE

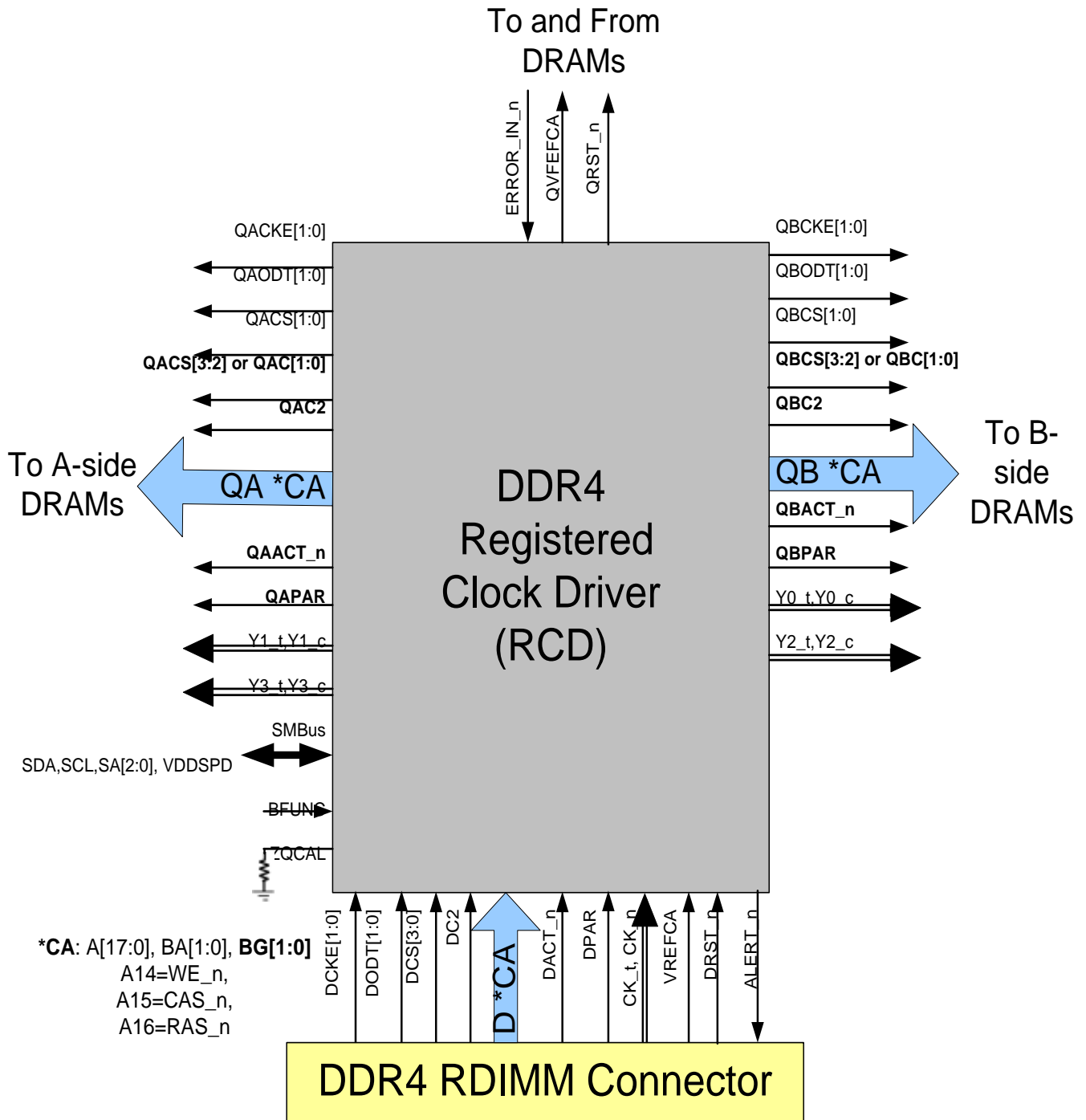
Datasheet	6/29/17
PS9VRxx72x4xxx	
Revision E	

BLOCK DIAGRAM, QUAD RANK

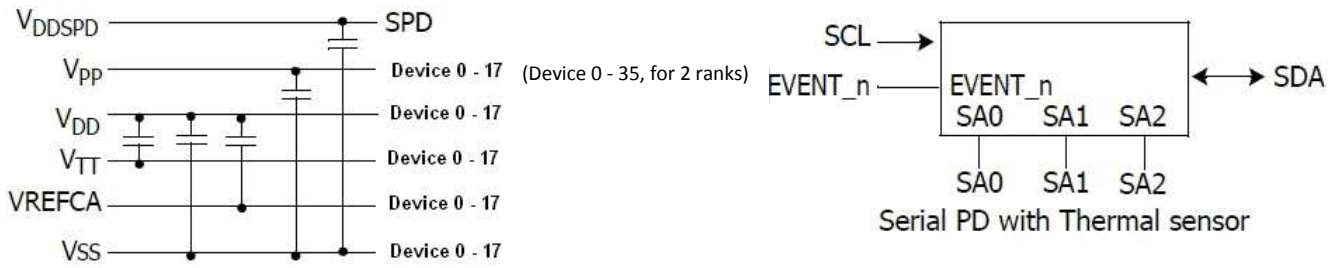


DDR4 HOST MEMORY INTERFACE

Datasheet	6/29/17
PS9VRxx72x4xxx	Viking Technology
Revision E	Page 15 of 61



Datasheet	6/29/17
PS9VRxx72x4xxx	Viking Technology
Revision E	Page 16 of 61



SPD and THERMAL SENSOR

Notes:

- Unless otherwise noted, resistor values are $15\ \Omega \pm 5\%$.
- See the Net Structure diagrams for all resistors associated with the command, address and control bus.
- ZQ resistors are $240\ \Omega \pm 1\%$. For all other resistor values, refer to the appropriate wiring diagram.
- Refer to EE1004-v and TSE2004av specifications for details.

Datasheet	6/29/17
PS9VRxx72x4xxx	Viking Technology
Revision E	Page 17 of 61

DQ and DQS MAPPING

BYTE Group	DQ								DQS			
	0	1	2	3	4	5	6	7				
0	DQ0	DQ1	DQ2	DQ3	DQ4	DQ5	DQ6	DQ7	DQS0_t	DQS0_c	DQS9_t	DQS9_c
1	DQ8	DQ9	DQ10	DQ11	DQ12	DQ13	DQ14	DQ15	DQS1_t	DQS1_c	DQS10_t	DQS10_c
2	DQ16	DQ17	DQ18	DQ19	DQ20	DQ21	DQ22	DQ23	DQS2_t	DQS2_c	DQS11_t	DQS11_c
3	DQ24	DQ25	DQ26	DQ27	DQ28	DQ29	DQ30	DQ31	DQS3_t	DQS3_c	DQS12_t	DQS12_c
4	DQ32	DQ33	DQ34	DQ35	DQ36	DQ37	DQ38	DQ39	DQS4_t	DQS4_c	DQS13_t	DQS13_c
5	DQ40	DQ41	DQ42	DQ43	DQ44	DQ45	DQ46	DQ47	DQS5_t	DQS5_c	DQS14_t	DQS14_c
6	DQ48	DQ49	DQ50	DQ51	DQ52	DQ53	DQ54	DQ55	DQS6_t	DQS6_c	DQS15_t	DQS15_c
7	DQ56	DQ57	DQ58	DQ59	DQ60	DQ61	DQ62	DQ63	DQS7_t	DQS7_c	DQS16_t	DQS16_c
8	CB0	CB1	CB2	CB3	CB4	CB5	CB6	CB7	DQS8_t	DQS8_c	DQS17_t	DQS17_c

DQ Internal Vref Specifications

PARAMETER	SYMBOL	Min	Typ	Max	UNIT	NOTES
Vref Max operating point Range 1	Vref_max_R1		-	92%	VDDQ	1, 11
Vref Min operating point Range 1	Vref_min_R1	60%	-		VDDQ	1,11
Vref Max operating point Range 2	Vref_max_R2		-	77%	VDDQ	1, 11
Vref Min operating point Range 2	Vref_min_R2	45%	-		VDDQ	1,11
Vref Stepsize	Vref_step	0.50%	0.65%	0.80%	VDDQ	2
Vref Set Tolerance	Vref_set_tol	-1.625%	0.00%	1.63%	VDDQ	3,4,6
		-0.15%	0.00%	0.15%	VDDQ	3,5,7
Vref Step Time	Vref_time-long	-	-	150	ns	9
	Vref_time-Short	-	-	60	ns	8
Vref Valid tolerance	Vref_val_tol	-0.15%	0.00%	0.15%	VDDQ	10

Notes:

- JESD8-24 specifies Vref to be 70% of VDDQ. Vref DC voltage referenced to VDDQ_DC. VDDQ_DC is 1.2V
- Vref stepsize increment/decrement range. Vref at DC level.
- $Vref_{new} = Vref_{old} + n * Vref_{step}$; n=number of step; if increment use "+"; If decrement use "-"
- The minimum value of Vref setting tolerance= $Vref_{new} - 1.625% * VDDQ$.
The maximum value of Vref setting tolerance= $Vref_{new} + 1.625% * VDDQ$. For n>4
- The maximum value of Vref setting tolerance= $Vref_{new} - 0.15% * VDDQ$.
The maximum value of Vref setting tolerance= $Vref_{new} + 0.15% * VDDQ$.
- Measured by recording the min and max values of the Vref output over the range, drawing a straight line between those points and comparing all other Vref output settings to that line
- Measured by recording the min and max values of the Vref output across 4 consecutive steps(n=4), drawing a straight line between those points and comparing all other Vref output settings to that line
- Time from MRS command to increment of decrement one step size for Vref
- Time from MRS command to increment of decrement more than one step size up to full range of Vref
- Only applicable for DRAM component level test/characterization purpose. Not applicable for normal mode of operation. Vref valid is to qualify the step times which will be characterized at the component level.
- DRAM range1 or 2 set by MRS bit MR6, A6.

Datasheet	6/29/17
PS9VRxx72x4xxx	Viking Technology
Revision E	Page 18 of 61

OVERVIEW OF DDR4 RDIMM MODULE OPERATION

The DDR4 architecture is generally a point-to-point topology with a dedicated channel design. The highest system performance levels can be achieved when the system is configured with 1 DIMM Per Channel (1DPC). DDR4 has more features than DDR3 with a pseudo-open drain (POD12) 1.2v I/O for the data channel, trained Vref, bank groups and write CRC (Cyclic Redundancy Check). The POD12 interface only applies to the data channel. The address command channel behave like DDR3 using mid-point termination and mid-point Vref. The new bank group interleaving feature in DDR4 maximizes data transfer bandwidth.

The DDR4 RDIMM has a Registered Clock Driver (RCD) on the address, command and control lines which are center terminated as they were in DDR3. The RCD supports both RDIMM and LRDIMM modes and the default is RDIMM mode. Mode register MR7 (Manufacturing use only to program the RCD) configures the DDR4 RCD using multi-step mode register programming. MR Mode Register Read via MPR Multi-Purpose Register contains the control word bits that select the working mode.

DDR4 DRAM use pseudo-open drain (POD12) 1.2v drivers with Vdd terminations on DQ lines to increase data rates; unlike DDR3 DRAM that uses stub-series terminated logic drivers, The DRAM addressing scheme in DDR4 is organized into bank groups, Side A and Side B. The host DDR4 memory controller interleaves (multiplexes) among the bank groups to achieve high data rates. DDR4 architecture is a 8n prefetch with bank groups, including the use of two or four selectable bank groups. This will permit the DDR4 memory devices to have separate activation, read, write or refresh operations simultaneously underway in each of the unique bank groups to improve overall memory efficiency and bandwidth, especially when small memory granularities are used.

The data written to the DIMM is read back the same way. However when writing to the internal registers with a "load mode" operation, a specific address is required. This requires the controller to know if the rank is mirrored or not. There is a bit assignment in the SPD that indicates whether the module has been designed with a mirrored feature or not.

DDR4 offers ECC recovery from command and parity errors to prevent the host system from crashing. The use of CRC parity is an optional feature on address command and data; (Error command blocking when parity enabled and post CA parity. If the DIMM does not support CRC, the values of 0x00 will fill the CRC table. The new CA parity feature on the command/address bus provides a low-cost method of verifying the integrity of command and address transfers over a link, for all operations.

Some of the main attributes of DDR4 memory are:

- 1) The ACT_n activate pin replaces RAS#, CAS#, and WE# commands
- 2) PAR and Alert_n for error checking
- 3) Bank group Interleaving
- 4) Improved training modes upon power-up
- 5) Nominal and dynamic ODT: Improvements to the ODT protocol and a new Park Mode allow for a nominal termination and dynamic write termination without having to drive the ODT pin
- 6) DQ bus gear-down mode for 2667Mhz data rates and beyond
- 7) External VPP at 2.5V (for wordline boost)
- 8) 1.2V VDD power with power-saving features that include MPSM Maximum Power Savings Mode, Low Power Auto Self Refresh, Temperature Controlled Refresh, Fine Granularity Refresh, CMD/ADDT latency and DLL off mode
- 9) Internally generated VrefDQ and Calibration.
 - VrefDQ is supplied by the DRAM internally
 - VrefCA is supplied by the board

Important Note:

Longer boot-up times may be experienced in certain situations for controller initiated functions such as VrefDQ calibration, write leveling and other trainings for the DIMM.

Datasheet	6/29/17
PS9VRxx72x4xxx	Viking Technology
Revision E	Page 19 of 61

DDR4 offers certain performance features that are shown in the following table:

DDR4 Performance Features	What It Improves
Command reordering at queue entry AND queue exit	Reduced impact from high-priority commands maximizes memory bandwidth and throughput, especially difficult traffic scenarios. High-priority commands go straight to the head of the command queue when they're received, but controller can delay the command's exit from the queue until the target DDR4 memory page and bank are ready to accept that command.
High-priority commands can enter the queue at head-of-queue position	Latency for high-priority commands
Rank grouping and splitting	Bandwidth for multi-rank systems
Bank split multiple transactions	Bandwidth for high-speed DRAM
Read/write grouping improvements	Bandwidth for all DRAM
Data buffers moved to ports parallel write data offload	System bandwidth on narrow transfers. re-orderable write data bandwidth,
Multiple core read data FIFOs	Bandwidth if the system bus is stalled
Programmable activate look-ahead distance	Latency for high-priority commands when autoprecharge is used
More DRAM banks (16 on each die)	More pages can be opened at the same time. And lower latency

DDR4 MODE REGISTERS

	A12	A11	A10	A9	A8	A7	A6	A5	A4	A3	A2	A1	A0
MR0	RFU	Write Recovery and RTP			DLL Reset	Test Mode	CAS Latency CL			Burst Type	CL	Burst Length BL	
MR1	Qoff	TDQS	Rtt_NOM			Write Leveling	RFU	RFU	Additive Latency		Ron		DLL Enable
MR2	Write CRC	RFU	Rtt_WR		RFU	Auto Self Refresh		CWL			RFU	RFU	RFU
MR3	MPR Read Format		Write CMD Latency with CRC and DM		Fine Granularity Refresh			Temp Sensor	Per-DRAM Addr Mode	Gear down	MPR Enable	MPR Page	
MR4	Write Preamble	Read Preamble	Read Preamble Training Enable	Self Refresh Abort Enable	CS-to-Address Latency CAL			RFU	VrefDQ Monitor Enable	Temp Refresh Mode	Temp. Refresh Range	Max Power Down Enable	RFU
MR5	Read DBI Enable	Write DBI Enable	Data Mask Enable	Parity Persistent Error	Rtt_PARK			ODT input in Power Down	Panty Error Status	CRC Error Clear	CMD Address Parity Latency		
MR6	tCCD_L and tDLLK Timing			RFU	RFU	VrefDQ Training enable	VrefDQ Training Range	VretDQ Training Value					
MR7	Manufacturing use only to program the RCD												

Notes:

1. Refer to JEDEC documentation for detail of the control/status bits.

Datasheet	6/29/17
PS9VRxx72x4xxx	Viking Technology
Revision E	Page 21 of 61

DC OPERATING CONDITIONS AND CHARACTERISTICS

ABSOLUTE MAXIMUM RATINGS

PARAMETER	SYMBOL	VALUE	UNIT	NOTES
Voltage on any pin relative to GND	Vin, Vout	-0.3 ~ 1.5	V	1,
Voltage on VDD supply relative to GND	VDD	-0.3 ~ 1.5	V	1,3
Voltage on VDDQ supply relative to GND	VDDQ	-0.3 ~ 1.5	V	1,3
Voltage on VPP supply relative to GND	VPP	-0.3 ~ 3.0	V	4
Module operating temperature (ambient)	Topr	0 ~ 55	°C	1,5
Storage temperature	Tstg	-55 ~ +100	°C	1,2

Notes:

1. Permanent device damage may occur if 'ABSOLUTE MAXIMUM RATINGS' are exceeded. Functional operation should be restricted to recommended operating condition. Exposure to higher than recommended voltage for extended periods of time could affect device reliability. Stresses greater than those listed under "Absolute Maximum Ratings" may cause permanent damage to the device. This is a stress rating only and functional operation of the device at these or any other conditions above those indicated in the operational sections of this specification is not implied. Exposure to absolute maximum rating conditions for extended periods may affect reliability.
2. Storage Temperature is the case surface temperature on the center/top side of the DRAM. For the measurement conditions, please refer to JESD51- 2 standard.
3. VDD and VDDQ must be within 300 mV of each other at all times and VREFCA must be not greater than 0.6 x VDDQ, When VDD and VDDQ are less than 500 mV; VREF may be equal to or less than 300 mV.
4. VPP must be equal or greater than VDD/VDDQ at all times.
5. Refer to JEDEC JC451 specification.

DRAM Component Operating Temperature Range

SYMBOL	PARAMETER	RATING	UNITS	NOTES
Toper	Normal Operating Temperature Range	0 to 85	°C	1,2
	Extended Temperature Range	85 to 95	°C	1,3

Notes:

1. Operating Temperature TOPER is the case surface temperature on the center / top side of the DRAM. For measurement conditions, please refer to the JEDEC document JESD51-2.
2. The Normal Temperature Range specifies the temperatures where all DRAM specifications will be supported. During operation, the DRAM case temperature must be maintained between 0 - 85°C under all operating conditions.
3. Some applications require operation of the DRAM in the Extended Temperature Range between 85°C and 95°C case temperature. Full specifications are guaranteed in this range, but the following additional conditions apply:
 - a) Refresh commands must be doubled in frequency, therefore reducing the Refresh interval tREFI to 3.9 μs. It is also possible to specify a component with 1X refresh (tREFI to 7.8μs) in the Extended Temperature Range. Please refer to the DIMM SPD for option availability.
 - b) If Self-Refresh operation is required in the Extended Temperature Range, then it is mandatory to either use the Manual Self-Refresh mode with Extended Temperature Range capability (MR2 A6 = 0b and MR2 A7 = 1b) or enable the optional Auto Self-Refresh mode (MR2 A6 = 1b and MR2 A7 = 0b). DDR4 SDRAM's support Auto Self-Refresh and in Extended Temperature Range and please refer to component datasheet and/or the DIMM SPD for tREFI requirements in the Extended Temperature Range

tREFI by Device Density

PARAMETER	SYMBOL	2Gb	4Gb	8Gb	16Gb	UNITS	
Average periodic refresh interval	tREFI	0°C ≤ Tcase ≤ 85°C	7.8	7.8	7.8	7.8	μs
		85°C ≤ Tcase ≤ 95°C	3.9	3.9	3.9	3.9	μs

Datasheet	6/29/17
PS9VRxx72x4xxx	Viking Technology
Revision E	Page 22 of 61

AC & DC Operating Conditions

DC OPERATING CONDITIONS AND CHARACTERISTICS (POD12)

SYMBOL	PARAMETER	RATING			UNITS	NOTES
		Min	Typ	Max		
VDD	Supply Voltage VDD: PG4:1.2V±5%, PG4L: 1.05 (TBD)	1.14	1.2	1.26	v	1,2,3
VDDQ	Supply Voltage for Output. Values in () are at 70% of VDD	1.14 (0.798)	1.2 (0.84)	1.26 (0.882)	v	1
VPP	2.5V +10%, -5%	2.375	2.5	2.75	v	3
VDDSPD	2.5V± 10%	2.25	2.5	2.75	v	

Notes:

- POD12 1.2 V Pseudo Open Drain Interface has a VDDQ value of 1.2V but the reference voltage allows POD12 to be used with other VDDQ values. POD12 signals have pull-up-only parallel input termination and have an asymmetric output drive impedance. For example, if the output drivers were using a 60 ohm pull-up drive impedance then the pull-down drivers would be expected to produce a 40 ohm pull-down drive impedance. POD12 does not explicitly call for series termination resistors, so it is suitable for point-to-point as well as multi-drop stub environments which may require some additional termination.
- JESD8-24 specifies Vref to be 70% of VDDQ. Under all conditions VDDQ must be less than or equal to VDD.
 - VDDQ tracks with VDD. AC parameters are measured with VDD and VDDQ tied together.
 - DC bandwidth is limited to 20MHz.

Datasheet	6/29/17
PS9VRxx72x4xxx	Viking Technology
Revision E	Page 23 of 61

DC CHARACTERISTICS, IDD CURRENTS IDD DEFINITIONS

SYMBOL	DDR4 IDD, IDDQ, and IPP Specs
IDD0A	Operating One Bank Active-Precharge Current (AL=CL-1)
IPP0	Operating One Bank Active-Precharge IPP Current
IDD1A	Operating One Bank Active-Read-Precharge Current (AL=CL-1)
IPP1	Operating One Bank Active-Read-Precharge IPP Current
IDD2NA	Precharge Standby Current (AL=CL-1)
IPP2N	Precharge Standby IPP Current
IDD2NL	Precharge Standby Current with CAL enabled
IDD2NG	Precharge Standby Current with Gear Down mode enabled
IDD2ND	Precharge Standby Current with DLL disabled
IDD2N_par	Precharge Standby Current with CA parity enabled
IPP2P	Precharge Power-Down IPP Current
IDD3NA	Active Standby Current (AL=CL-1)
IPP3N	Active Standby IPP Current
IPP3P	Active Power-Down IPP Current
IDD4RA	Operating Burst Read Current (AL=CL-1)
IDD4RB	Operating Burst Read Current with Read DBI
IPP4R	Operating Burst Read IPP Current
IDDQ4RB	(Optional) Operating Burst Read IDDQ Current with Read DBI
IDD4WA	Operating Burst Write Current (AL=CL-1)
IDD4WB	Operating Burst Write Current with Write DBI
IDD4WC	Operating Burst Write Current with Write CRC
IDD4W_par	Operating Burst Write Current with CA Parity
IPP4W	Operating Burst Write IPP Current
IPP5B	Burst Refresh Write IPP Current (1x REF)
IDD5F2	Burst Refresh Current (2x REF)
IPP5F2	Burst Refresh Write IPP Current (2x REF)
IDD5F4	Burst Refresh Current (4x REF)
IPP5F4	Burst Refresh Write IPP Current (4x REF)
IPP6N	Self Refresh IPP Current: Normal Temperature Range
IPP6E	Self Refresh IPP Current: Extended Temperature Range
IDD6R	Self-Refresh Current: Reduced Temperature Range
IPP6R	Self Refresh IPP Current: Reduced Temperature Range
IPP6A	Auto Self-Refresh IPP Current
IPP7	Operating bank Interleave Read IPP Current
IPP8	Maximum Power Down IPP Current

Notes:

Datasheet	6/29/17
PS9VRxx72x4xxx	Viking Technology
Revision E	Page 24 of 61

- 1) DDR4 IDD and IDDQ specs include the same DDR3 IDD and IDDQ specs with these exceptions:
 - a. IDD2P0 and IDD2P1 are replaced with a single IDD2P. There's no longer any difference in power for the DLL because of better DLL power management inside the DRAM device without any benefit for using slow exit.
 - b. IDD6 is renamed IDD6N Self Refresh Current: Normal Temperature Range
 - c. IDD6ET is renamed IDD6E Self-Refresh Current: Extended Temperature Range
 - d. IDD6TC is renamed IDD6AAut0 Self-Refresh Current
 - e. IDD8 is redefined from (optional) RESET Low Current to IDD8 Maximum Power Down Current, TBD
- 2) IDD values are an average (not peak) current drawn throughout the entire time that it takes to execute the set of conditions specified by JEDEC standards.
- 3) Consult with Viking for tools to help specify the Total Design Power (TDP)

IDD6 Specification

Symbol	Temperature Range	Value	Unit	Notes
IDD6N	0 - 85 °C	22	mA	3,4
IDD6E	0 - 95 °C	33	mA	4,5,6
IDD6R	0 - 45°C	10	mA	4,6,9
IDD6A	0 °C ~ Ta	9	mA	4,6,7,8
	Tb ~ Ty	10	mA	4,6,7,8
	Tz ~ TOPERmax	16	mA	4,6,7,8

Notes:

1. Some IDD currents are higher for x16 organization due to larger page-size architecture.
2. Max. values for IDD currents considering worst case conditions of process, temperature and voltage.
3. Applicable for MR2 settings A6=0 and A7=0.
4. Supplier data sheets include a max value for IDD6.
5. Applicable for MR2 settings A6=0 and A7=1. IDD6ET is only specified for devices which support the Extended Temperature Range feature.
6. Refer to the supplier data sheet for the value specification method (e.g. max, typical) for IDD6ET and IDD6TC
7. Applicable for MR2 settings A6=1 and A7=0. IDD6TC is only specified for devices which support the Auto Self Refresh feature.
8. The number of discrete temperature ranges supported and the associated Ta - Tz values are supplier/design specific. Temperature ranges are specified for all supported values of TOPER. Refer to supplier data sheet for more information.
9. Applicable for MR2 settings TBD. IDD6R is verified by design and characterization, and may not be subject to production test.

Datasheet	6/29/17
PS9VRxx72x4xxx	Viking Technology
Revision E	Page 25 of 61

IDD CURRENTS, SINGLE RANK, 4Gbit

Symbol	DDR4-1866	DDR4-2133	DDR4-2400	Units
IDD0	1044	1080	1152	mA
IPP0	72	72	72	mA
IDD1	1134	1170	1224	mA
IDD2N	792	828	900	mA
IDD2NT	900	972	1044	mA
IDD2P	540	540	576	mA
IDD2Q	702	702	738	mA
IDD3N	1098	1134	1206	mA
IPP3N	54	54	54	mA
IDD3P	792	792	792	mA
IDD4R	2520	2700	2880	mA
IDDQ4R	576	648	720	mA
IDD4W	2808	3168	3528	mA
IDD5B	3420	3420	3456	mA
IPP5B	396	396	396	mA
IDD6N	360	360	360	mA
IDD6E	486	486	486	mA
IDD6R	180	180	180	mA
IDD6A (25°C)	162	162	162	mA
IDD6A (45°C)	180	180	180	mA
IDD6A (75°C)	288	288	288	mA
IDD7	2880	3330	3780	mA
IPP7	180	216	252	mA
IDD8	324	324	324	mA

Notes:

1. Users should refer to the DRAM supplier data sheet and/or the DIMM SPD to determine if DDR4 SDRAM devices support the following options or requirements referred to in this material.
2. Values as per Micron Datasheet.

Datasheet	6/29/17
PS9VRxx72x4xxx	Viking Technology
Revision E	Page 26 of 61

IDD CURRENTS, 2 RANK, 4Gbit

Symbol	DDR4-1866	DDR4-2133	DDR4-2400	Units
IDD0 ¹	1584	1620	1728	mA
IPP0 ¹	612	612	648	mA
IDD1 ¹	1674	1710	1800	mA
IDD2N ²	1584	1656	1800	mA
IDD2NT ¹	1440	1512	1620	mA
IDD2P ²	1080	1080	1152	mA
IDD2Q ²	1404	1404	1476	mA
IDD3N ²	2196	2268	2412	mA
IPP3N ²	108	108	108	mA
IDD3P ²	1584	1584	1584	mA
IDD4R ¹	3060	3240	3456	mA
IDDQ4R ¹	1116	1188	1296	mA
IDD4W ¹	3348	3708	4104	mA
IDD5B ¹	3960	3960	4032	mA
IPP5B ¹	936	936	972	mA
IDD6N ²	720	720	720	mA
IDD6E ²	972	972	972	mA
IDD6R ²	360	360	360	mA
IDD6A ² (25°C)	324	324	324	mA
IDD6A ² (45°C)	360	360	360	mA
IDD6A ² (75°C)	576	576	576	mA
IDD7 ¹	3420	3870	4356	mA
IPP7 ¹	720	756	828	mA
IDD8 ²	648	648	648	mA

Notes:

1. One module rank in the active IDD/PP, the other rank in IDD2P/PP3N.
2. All ranks in this IDD/PP condition.
3. Values as per Micron Datasheet.

Datasheet	6/29/17
PS9VRxx72x4xxx	Viking Technology
Revision E	Page 27 of 61

IDD CURRENTS, SINGLE RANK, 8Gbit

Symbol	DDR4-2133	DDR4-2400	Units
	15-15-15	17-17-17	
	1.2V	1.2V	
IDD0	604.8	621	mA
IDD0A	648	684	mA
IDD1	831.6	874.8	mA
IDD1A	873	927	mA
IDD2N	378	396	mA
IDD2NA	432	450	mA
IDD2NT	432	450	mA
IDD2NL	270	288	mA
IDD2NG	378	396	mA
IDD2ND	342	360	mA
IDD2N_par	396	414	mA
IDD2P	270	270	mA
IDD2Q	342	360	mA
IDD3N	630	630	mA
IDD3NA	684	684	mA
IDD3P	360	378	mA
IDD4R	1611	1764	mA
IDD4RA	1663.2	1825.2	mA
IDD4RB	1620	1773	mA
IDD4W	1512	1609.2	mA
IDD4WA	1584	1693.8	mA
IDD4WB	1512	1609.2	mA
IDD4WC	1324.8	1364.4	mA
IDD4W_par	1654.2	1776.6	mA
IDD5B	3864.6	3862.8	mA
IDD5F2	2703.6	2725.2	mA
IDD5F4	2268	2291.4	mA
IDD6N	396	396	mA
IDD6E	594	594	mA
IDD7	3810.6	4246.2	mA
IDD8	180	180	mA

Notes:

1. Users should refer to the DRAM supplier data sheet and/or the DIMM SPD to determine if DDR4 SDRAM devices support the following options or requirements referred to in this material.
2. Values as per Samsung Datasheet.

Datasheet	6/29/17
PS9VRxx72x4xxx	Viking Technology
Revision E	Page 28 of 61

IDD CURRENTS, DUAL RANK, 8Gbit

Symbol	DDR4-2133	DDR4-2400	Units
	15-15-15	17-17-17	
	1.2V	1.2V	
IDD0 ¹	874.8	891	mA
IDD0A ¹	918	954	mA
IDD1 ¹	1101.6	1144.8	mA
IDD1A ¹	1143	1197	mA
IDD2N ²	756	792	mA
IDD2NA ¹	702	720	mA
IDD2NT ¹	702	720	mA
IDD2NL ¹	540	558	mA
IDD2NG ¹	648	666	mA
IDD2ND ¹	612	630	mA
IDD2N_par ¹	666	684	mA
IDD2P ²	540	540	mA
IDD2Q ²	684	720	mA
IDD3N ²	1260	1260	mA
IDD3NA ²	1368	1368	mA
IDD3P ²	720	756	mA
IDD4R ¹	1881	2034	mA
IDD4RA ¹	1933.2	2095.2	mA
IDD4RB ¹	1890	2043	mA
IDD4W ¹	1782	1879.2	mA
IDD4WA ¹	1854	1963.8	mA
IDD4WB ¹	1782	1879.2	mA
IDD4WC ¹	1594.8	1634.4	mA
IDD4W_par ¹	1924.2	2046.6	mA
IDD5B ¹	4134.6	4132.8	mA
IDD5F2 ¹	2973.6	2995.2	mA
IDD5F4 ¹	2538	2561.4	mA
IDD6N ²	792	792	mA
IDD6E ²	1188	1188	mA
IDD7 ¹	4080.6	4516.2	mA
IDD8 ²	360	360	mA

Notes:

1. One module rank in the active IDD/PP, the other rank in IDD2P/PP3N.
2. All ranks in this IDD/PP condition.
3. Users should refer to the DRAM supplier data sheet and/or the DIMM SPD to determine if DDR4 SDRAM devices support the following options or requirements referred to in this material.
4. Values as per Samsung Datasheet.

IDD CURRENTS, QUAD RANK, 8Gbit

Datasheet	6/29/17
PS9VRxx72x4xxx	Viking Technology
Revision E	Page 29 of 61

Symbol	64GB(8Gx72) Module				Unit	NOTE
	DDR4-2133		DDR4-2400			
	15-15-15		17-17-17			
	1.2V		1.2V			
	IDD Max.	IPP Max.	IDD Max.	IPP Max.		
<i>I</i> DD0	tbd	tbd	tbd	tbd	mA	
<i>I</i> DD0A	tbd	tbd	tbd	tbd	mA	
<i>I</i> DD1	tbd	tbd	tbd	tbd	mA	
<i>I</i> DD1A	tbd	tbd	tbd	tbd	mA	
<i>I</i> DD2N	tbd	tbd	tbd	tbd	mA	
<i>I</i> DD2NA	tbd	tbd	tbd	tbd	mA	
<i>I</i> DD2NT	tbd	tbd	tbd	tbd	mA	
<i>I</i> DD2NL	tbd	tbd	tbd	tbd	mA	
<i>I</i> DD2NG	tbd	tbd	tbd	tbd	mA	
<i>I</i> DD2ND	tbd	tbd	tbd	tbd	mA	
<i>I</i> DD2N_par	tbd	tbd	tbd	tbd	mA	
<i>I</i> DD2P	tbd	tbd	tbd	tbd	mA	
<i>I</i> DD2Q	tbd	tbd	tbd	tbd	mA	
<i>I</i> DD3N	tbd	tbd	tbd	tbd	mA	
<i>I</i> DD3NA	tbd	tbd	tbd	tbd	mA	
<i>I</i> DD3P	tbd	tbd	tbd	tbd	mA	
<i>I</i> DD4R	tbd	tbd	tbd	tbd	mA	
<i>I</i> DD4RA	tbd	tbd	tbd	tbd	mA	
<i>I</i> DD4RB	tbd	tbd	tbd	tbd	mA	
<i>I</i> DD4W	tbd	tbd	tbd	tbd	mA	
<i>I</i> DD4WA	tbd	tbd	tbd	tbd	mA	
<i>I</i> DD4WB	tbd	tbd	tbd	tbd	mA	
<i>I</i> DD4WC	tbd	tbd	tbd	tbd	mA	
<i>I</i> DD4W_par	tbd	tbd	tbd	tbd	mA	
<i>I</i> DD5B	tbd	tbd	tbd	tbd	mA	
<i>I</i> DD5F2	tbd	tbd	tbd	tbd	mA	
<i>I</i> DD5F4	tbd	tbd	tbd	tbd	mA	
<i>I</i> DD6N	tbd	tbd	tbd	tbd	mA	
<i>I</i> DD6E	tbd	tbd	tbd	tbd	mA	
<i>I</i> DD6R	tbd	tbd	tbd	tbd	mA	
<i>I</i> DD6A	tbd	tbd	tbd	tbd	mA	
<i>I</i> DD7	tbd	tbd	tbd	tbd	mA	
<i>I</i> DD8	tbd	tbd	tbd	tbd	mA	

Input/Output Capacitance

SYMBOL	PARAMETER	DDR4-1600 DDR4-1867 DDR4-2133		DDR4-2400 DDR4-2667		DDR4-3200		UNIT	NOTES
		Min	Max	Min	Max	Min	Max		
C _{IO}	Input/output capacitance	0.7	1.4	0.7	1.3	TBD	TBD	pF	1,3
C _{DIO}	Input/output capacitance delta	-0.1	0.1	-0.1	0.1	TBD	TBD	pF	1,3,11
C _{DDQS}	Input/output capacitance delta DQS and DQS#	-	0.05	-	0.05	TBD	TBD	pF	1, 3,5
C _{CK}	Input capacitance, CK and CK#	0.2	0.8	0.2	0.8	TBD	TBD	pF	1,3
C _{DCK}	Input capacitance delta CK and CK#	-	0.05	-	0.05	TBD	TBD	pF	1,3,4
C _I	Input capacitance(CTRL, ADD, CMD pins only)	0.2	0.8	0.2	0.7	TBD	TBD	pF	1,3,6
C _{DI_CTRL}	Input capacitance delta(All CTRL pins only)	-0.1	0.1	-0.1	0.1	TBD	TBD	pF	1,3,7,8
C _{DI_ADD_CMD}	Input capacitance delta(All ADD/CMD pins only)	-0.1	0.1	-0.1	0.1	TBD	TBD	pF	1, 9, 10
C _{ALERT}	Input/output capacitance of ALERT	0.5	1.5	0.5	1.5	TBD	TBD	pF	1,3
C _{ZQ}	Input/output capacitance of ZQ	0.5	1.5	0.5	1.5	TBD	TBD	pF	1,3,12

Notes:

1. This parameter is not subject to production test. It is verified by design and characterization. The silicon only capacitance is validated by de-embedding the package L & C parasitic. The capacitance is measured with VDD, VDDQ, VSS, VSSQ applied with all other signal pins floating.
2. RFU
3. This parameter applies to monolithic devices only; stacked/dual-die devices are not covered here.
4. Absolute value C_{K,T-CK,C}
5. Absolute value of C_{IO(DQS,T)}-C_{IO(DQS,C)}
6. C_I applies to ODT, CS_n, CKE, A0-A17, BA0-BA1, BG0-BG1, RAS_n, CAS_n, WE_n.
7. C_{DI_CTRL} applies to ODT, CS_n and CKE
8. C_{DI_CTRL} = C_{I(CTRL)}-0.5*(C_{I(CLK,T)}+C_{I(CLK,C)})
9. C_{DI_ADD_CMD} applies to, A0-A17, BA0-BA1, BG0-BG1, RAS_n, CAS_n, WE_n.
10. C_{DI_ADD_CMD} = C_{I(ADD_CMD)}-0.5*(C_{I(CLK,T)}+C_{I(CLK,C)})
11. C_{DIO} = C_{IO(DQ,DM)}-0.5*(C_{IO(DQS,T)}+C_{IO(DQS,C)})
12. Maximum external load capacitance on ZQ pin

Datasheet	6/29/17
PS9VRxx72x4xxx	Viking Technology
Revision E	Page 31 of 61

DC and AC Specifications for the SMBus Interface

The specifications for the SMBus follow JEDEC standards.

Speed Bins by Speed Grade DDR4-1600 Speed Bins and Operating Conditions

Speed Bin			DDR4-1600		UNIT	NOTES	
CL-nRCD-nRP			11-11-11				
Parameter	Symbol		Min	Max			
Internal read command to first data	tAA		13.75 ¹⁴ (13.50) ^{5,12}	18	ns		
Internal read command to first data with read DBI enabled	tAA_DBI		tAA(min) + 2nCK	tAA(max) + 2nCK	ns		
ACT to internal read or write delay time	tRCD		13.75 (13.50) ^{5,12}	-	ns		
PRE command period	tRP		13.75 (13.50) ^{5,12}	-	ns		
ACT to PRE command period	tRAS		35	9 x tREFI	ns		
ACT to ACT or REF command period	tRC		48.75 (48.50) ^{5,12}	-	ns		
	Normal	Read DBI					
CWL = 9	CL = 9	CL = 11 (Optional) ⁵	tCK(AVG)	Reserved		ns	1,2,3,4,11,14
	CL = 10	CL = 12	tCK(AVG)	1.5	1.6	ns	1,2,3,4,11
CWL = 9,11	CL = 10	CL = 12	tCK(AVG)	Reserved		ns	1,2,3,4
	CL = 11	CL = 13	tCK(AVG)	1.25	<1.5	ns	1,2,3,4
	CL = 12	CL = 14	tCK(AVG)	1.25	<1.5	ns	1,2,3
Supported CL Settings			(9),11,12		nCK	13,14	
Supported CL Settings with read DBI			(11),13,14		nCK	13	
Supported CWL Settings			9,11		nCK		

DDR4-1866 Speed Bins and Operating Conditions

Speed Bin			DDR4-1866		UNIT	NOTES	
CL-nRCD-nRP			13-13-13				
Parameter	Symbol		Min	Max			
Internal read command to first data	tAA		13.92 ¹⁴ (13.50) ^{5,12}	18	ns		
Internal read command to first data with read DBI enabled	tAA_DBI		tAA(min) + 2nCK	tAA(max) + 2nCK	ns		
ACT to internal read or write delay time	tRCD		13.92 (13.50) ^{5,12}	-	ns		
PRE command period	tRP		13.92 (13.50) ^{5,12}	-	ns		
ACT to PRE command period	tRAS		34	9 x tREFI	ns		
ACT to ACT or REF command period	tRC		47.92 (47.50) ^{5,12}	-	ns		
	Normal	Read DBI					
CWL=9	CL=9	CL=11 (Optional) ⁵	tCK(AVG)	Reserved		ns	1,2,3,4,11,14
	CL=10	CL=12	tCK(AVG)	1.5	1.6	ns	1,2,3,4,11
CWL=9,11	CL=10	CL=12	tCK(AVG)	Reserved		ns	4
	CL=11	CL=13	tCK(AVG)	1.25	<1.5	ns	1,2,3,4,6
				(Optional) ^{5,12}			
CL=12	CL=14	tCK(AVG)	1.25	<1.5	ns	1,2,3,6	
CWL=10,12	CL=12	CL=14	tCK(AVG)	Reserved		ns	1,2,3,4
	CL=13	CL=15	tCK(AVG)	1.071	<1.25	ns	1,2,3,4
	CL=14	CL=16	tCK(AVG)	1.071	<1.25	ns	1,2,3
Supported CL Settings			9,11,12,13,14		nCK	13,14	
Supported CL Settings with read DBI			11,13,14,15,16		nCK	13	
Supported CWL Settings			9,10,11,12		nCK		

DDR4-2133 Speed Bins and Operating Conditions

Speed Bin			DDR4-2133		UNIT	NOTES	
CL-nRCD-nRP			15-15-15				
Parameter		Symbol	Min	Max			
Internal read command to first data		tAA	14.06 ¹⁴ (13.75) ^{5,12}	18	ns		
Internal read command to first data with read DBI enabled		tAA_DBI	tAA(min) + 3nCK	tAA(max) + 3nCK	ns		
ACT to internal read or write delay time		tRCD	14.06 (13.75) ^{5,12}	-	ns		
PRE command period		tRP	14.06 (13.75) ^{5,12}	-	ns		
ACT to PRE command period		tRAS	33	9 x tREFI	ns		
ACT to ACT or REF command period		tRC	47.06 (46.75) ^{5,12}	-	ns		
	Normal						Read DBI
CWL = 9	CL = 9	CL = 11 (Optional) ⁵	tCK(AVG)	Reserved		ns	1,2,3,4,11,14
	CL = 10	CL = 12	tCK(AVG)	1.5	1.6	ns	1,2,3,11
CWL = 9,11	CL = 11	CL = 13	tCK(AVG)	1.25	<1.5	ns	1,2,3,4,7
			tCK(AVG)	(Optional) ^{5,12}			
	CL = 12	CL = 14	tCK(AVG)	1.25	<1.5	ns	1,2,3,7
CWL = 10,12	CL = 13	CL = 15	tCK(AVG)	1.071	<1.25	ns	1,2,3,4,7
			tCK(AVG)	(Optional) ^{5,12}			
	CL = 14	CL = 16	tCK(AVG)	1.071	<1.25	ns	1,2,3,7
CWL = 11,14	CL = 14	CL = TBD	tCK(AVG)	Reserved		ns	1,2,3,4
	CL = 15	CL = TBD	tCK(AVG)	0.938	<1.071	ns	1,2,3,4
	CL = 16	CL = TBD	tCK(AVG)	0.938	<1.071	ns	1,2,3
Supported CL Settings			(9),(11),12,(13),14,15,16		nCK	13,14	
Supported CL Settings with read DBI			(11),(13),14,(15),16,18,19		nCK		
Supported CWL Settings			9,10,11,12,14		nCK		

Datasheet	6/29/17
PS9VRxx72x4xxx	Viking Technology
Revision E	Page 34 of 61

DDR4-2400 Speed Bins and Operating Conditions

Speed Bin			DDR4-2400		Unit	NOTE	
CL-nRCD-nRP			17-17-17				
Parameter	Symbol		Min	Max			
Internal read command to first data	tAA		14.16 ¹⁴ (13.75) ^{5,12}	18	ns		
Internal read command to first data with read DBI enabled	tAA_DBI		tAA(min) + 3nCK	tAA(max) + 3nCK	ns		
ACT to internal read or write delay time	tRCD		14.16 (13.75) ^{5,12}	-	ns		
PRE command period	tRP		14.16 (13.75) ^{5,12}	-	ns		
ACT to PRE command period	tRAS		32	9 x tREFI	ns		
ACT to ACT or REF command period	tRC		46.16 (45.75) ^{5,12}	-	ns		
	Normal	Read DBI					
CWL = 9	CL = 9	CL = 11 (Optional) ⁵	tCK(AVG)	Reserved		ns	1,2,3,4,11,14
	CL = 10	CL = 12	tCK(AVG)	1.5	1.6	ns	1,2,3,11
CWL = 9,11	CL = 11	CL = 13	tCK(AVG)	1.25	<1.5	ns	1,2,3,4,7
			tCK(AVG)	(Optional) ^{5,12}			
	CL = 12	CL = 14	tCK(AVG)	1.25	<1.5	ns	1,2,3,7
CWL = 10,12	CL = 13	CL = 15	tCK(AVG)	1.071	<1.25	ns	1,2,3,4,7
			tCK(AVG)	(Optional) ^{5,12}			
	CL = 14	CL = 16	tCK(AVG)	1.071	<1.25	ns	1,2,3,7
CWL = 11,14	CL = 14	CL = 17	tCK(AVG)	Reserved		ns	1,2,3,4
	CL = 15	CL = 18	tCK(AVG)	0.938	<1.071	ns	1,2,3,4
	CL = 16	CL = 19	tCK(AVG)	0.938	<1.071	ns	1,2,3
CWL = 12,16	CL = 15	CL = 18	tCK(AVG)	Reserved		ns	1,2,3,4
	CL = 16	CL = 19	tCK(AVG)	Reserved		ns	1,2,3,4
	CL = 17	CL = 20	tCK(AVG)	0.833	<0.938	ns	1,2,3
	CL = 18	CL = 21	tCK(AVG)	0.833	<0.938	ns	1,2,3,4
Supported CL Settings			(10),(11),12,(13),14,15,16,17,18		nCK	13,14	
Supported CL Settings with read DBI			(12),(13),14,(15),16,18,19,20,21		nCK		
Supported CWL Settings			9,10,11,12,14,16		nCK		

Timing Parameters by Speed Grade

Speed		DDR4-1600		DDR4-1866		DDR4-2133		Units	Notes
Parameter	Symbol	MIN	MAX	MIN	MAX	MIN	MAX		
Clock Timing									
Minimum Clock Cycle Time (DLL off mode)	tCK(DLL_OFF)	8	-	8	-	8	-	ns	23
Average Clock Period	tCK(avg)	See Speed Bins Table						ps	
Average high pulse width	tCH(avg)	0.48	0.52	0.48	0.52	0.48	0.52	tCK(avg)	
Average low pulse width	tCL(avg)	0.48	0.52	0.48	0.52	0.48	0.52	tCK(avg)	
Absolute Clock Period	tCK(abs)	tCK(avg)min + tJIT(per)min_tot	tCK(avg)max + tJIT(per)max_tot	tCK(avg)min + tJIT(per)min_tot	tCK(avg)max + tJIT(per)max_tot	tCK(avg)min + tJIT(per)min_tot	tCK(avg)max + tJIT(per)max_tot	tCK	
Absolute clock HIGH pulse width	tCH(abs)	0.45	-	0.45	-	0.45	-	tCK(avg)	24
Absolute clock Low pulse width	tCL(abs)	0.45	-	0.45	-	0.45	-	tCK(avg)	25
Clock Period Jitter- total	JIT(per)_tot	-0.1	0.1	-0.1	0.1	-0.1	0.1	UI	26
Clock Period Jitter-deterministic	JIT(per)_dj	tbd	Tbd	tbd	tbd	tbd	tbd	UI	27
Clock Period Jitter during DLL locking period	tJIT(per, lck)	tbd	Tbd	tbd	tbd	tbd	tbd	UI	
Cycle to Cycle Period Jitter	tJIT(cc)_tot	0.2		0.2		0.2		UI	26
Cycle to Cycle Period Jitter-deterministic	tJIT(cc)_dj	Tbd						UI	27
Cycle to Cycle Period Jitter during DLL locking period	tJIT(cc, lck)	Tbd						UI	
Duty cycle Jitter	tJIT(duty)	Tbd						UI	
Cumulative error across 2 cycles	tERR(2per)	tbd	-					UI	
Cumulative error across 3 cycles	tERR(3per)	tbd	-					UI	
Cumulative error across 4 cycles	tERR(4per)	tbd						UI	
Cumulative error across 5 cycles	tERR(5per)	tbd						UI	
Cumulative	tERR(6per)	tbd						UI	

Datasheet	6/29/17
PS9VRxx72x4xxx	Viking Technology
Revision E	Page 36 of 61

Speed		DDR4-1600		DDR4-1866		DDR4-2133		Units	Notes
Parameter	Symbol	MIN	MAX	MIN	MAX	MIN	MAX		
error across 6 cycles)								
Cumulative error across 7 cycles	tERR(7per)	tbd						UI	
Cumulative error across 8 cycles	tERR(8per)	tbd						UI	
Cumulative error across 9 cycles	tERR(9per)	tbd						UI	
Cumulative error across 10 cycles	tERR(10per)	tbd						UI	
Cumulative error across 11 cycles	tERR(11per)	tbd						UI	
Cumulative error across 12 cycles	tERR(12per)	tbd						UI	
Cumulative error across n = 13, 14 ... 49, 50 cycles	tERR(nper)	Tbd						UI	

Command and Address Timing

CAS _n to CAS _n command delay for same bank group	tCCD_L	5	-	5	-	6	-	nCK	
CAS _n to CAS _n command delay for different bank group	tCCD_S	4	-	4	-	4	-	nCK	
ACTIVATE to ACTIVATE Command delay to different bank group for 2KB page size	tRRD_S(2K)	Max(4nCK,6ns)	-	Max(4nCK,5.3ns)	-	Max(4nCK,5.3ns)	-	nCK	
ACTIVATE to ACTIVATE Command delay to different bank group for 1KB page size	tRRD_S(1K)	Max(4nCK,5ns)	-	Max(4nCK,4.2ns)	-	Max(4nCK,3.7ns)	-	nCK	
ACTIVATE to ACTIVATE Command delay to different bank group for	tRRD_S(1/2K)	Max(4nCK,5ns)	-	Max(4nCK,4.2ns)	-	Max(4nCK,3.7ns)	-	nCK	

Datasheet	6/29/17
PS9VRxx72x4xxx	Viking Technology
Revision E	Page 37 of 61

Speed		DDR4-1600		DDR4-1866		DDR4-2133		Units	Notes
Parameter	Symbol	MIN	MAX	MIN	MAX	MIN	MAX		
1/2KB page size									
ACTIVATE to ACTIVATE Command delay to same bank group for 2KB page size	tRRD_L(2K)	Max(4nCK,7.5ns)	-	Max(4nCK,6.4ns)	-	Max(4nCK,6.4ns)	-	nCK	
ACTIVATE to ACTIVATE Command delay to same bank group for 1KB page size	tRRD_L(1K)	Max(4nCK,6ns)	-	Max(4nCK,5.3ns)	-	Max(4nCK,5.3ns)	-	nCK	
ACTIVATE to ACTIVATE Command delay to same bank group for 1/KB page size	tRRD_L(1/2K)	Max(4nCK,6ns)	-	Max(4nCK,5.3ns)	-	Max(4nCK,5.3ns)	-	nCK	
Four activate window for 2KB page size	tFAW_2K	35	-	30	-	30	-	ns	
Four activate window for 1KB page size	tFAW_1K	25	-	23	-	21	-	ns	
Four activate window for 1KB page size	tFAW_1/2K	20	-	17	-	15	-	ns	
Delay from start of internal write transaction to internal read command for different bank group	tWTR_S	max(2nCK,2.5ns)	-	max(2nCK,2.5ns)	-	max(2nCK,2.5ns)	-		1,2,e
Delay from start of internal write transaction to internal read command for same bank group	tWTR_L	max(4nCK,7.5ns)	-	max(4nCK,7.5ns)	-	max(4nCK,7.5ns)	-		1
Internal READ Command to PRECHARGE Command delay	tRTP	max(4nCK,7.5ns)	-	max(4nCK,7.5ns)	-	max(4nCK,7.5ns)	-		
WRITE recovery time	tWR	15	-	15	-	15	-	ns	1
WRITE recovery time when CRC and DM are	tWR_CRC_DM	tWR+max(4nCK,3.75ns)	-	tWR+max(5nCK,3.75ns)	-	tWR+max(5nCK,3.75ns)	-	ns	1,2,9

Datasheet	6/29/17
PS9VRxx72x4xxx	Viking Technology
Revision E	Page 38 of 61

Speed		DDR4-1600		DDR4-1866		DDR4-2133		Units	Notes
Parameter	Symbol	MIN	MAX	MIN	MAX	MIN	MAX		
enabled									
Delay from start of internal write transaction to internal read command for different bank groups with both CRC and OM enabled	tWTR_S_CRC_DM	tWTR_S+max(4nCK,3.75ns)	-	tWTR_S+max(5nCK,3.75ns)	-	tWTR_S+max(5nCK,3.75ns)	-	ns	2,30
Delay from start of internal write transaction to internal read command for same bank group with both CRC and OM enabled	tWTR_L_CRC_DM	tWTR_L+max(4nCK,3.75ns)	-	tWTR_L+max(5nCK,3.75ns)	-	tWTR_L+max(5nCK,3.75ns)	-	ns	3,31
DLL locking time	tDLLK	TBD						nCK	
Mode Register Set command cycle time	tMRD	8	-	8	-	8	-	nCK	
Mode Register Set command update delay	tMOD	max(24nCK,15ns)	-	max(24nCK,15ns)	-	max(24nCK,15ns)	-		
Multi-Purpose Register Recovery Time	tMPRR	1	-	1	-	1	-	nCK	
Multi-Purpose Register Write Recovery Time	tWR_MPR	tMOD (min)	-	tMOD (min)	-	tMOD (min)	-		
CS_n to Command Address Latency									
CS_n to Command Address Latency	tCAL	3	-	4	-	4	-	nCK	
DRAM Data Timing									
DQS_t,DQS_c to DQ skew, per group, per access	tDQSQ	-	tbd	-	tbd	-	tbd	tCK(a vg)/2	14,1,9
DQS_t,DQS_c to DQ skew deterministic, per group, per access	tDQSQ	-	tbd	-	tbd	-	tbd	tCK(a vg)/2	15,1,7,19
DQ output hold time from DQS_t,DQS_c	tQH	tbd	-		-		-	tCK(a vg)/2	14,1,8,19
DQ output hold time	tQH	tbd	-		-		-	UI	15,1,7,19

Datasheet	6/29/17
PS9VRxx72x4xxx	Viking Technology
Revision E	Page 39 of 61

Speed		DDR4-1600		DDR4-1866		DDR4-2133		Units	Notes
Parameter	Symbol	MIN	MAX	MIN	MAX	MIN	MAX		
deterministic from DQS_t, DQS_c									
DQS_t, DQS_c to DQ Skew total, per group, per access; DBI enabled	tDQSQ	-	tbd	-	tbd	-	tbd	UI	14,20
DQ output hold time total from DQS_t, DQS_c; DBI enabled	tQH	TBD	-	TBD	-	TBD	-	UI	14,20
DQ to DQ offset, per group, per access referenced to DQS_t, DQS_c	tDQSQ	TBD	TBD	TBD	TBD	TBD	TBD	UI	16, 17
Data Strobe Timing									
DQS_t, DQS_c differential output high time	tQSH	TBD	TBD	TBD	TBD	TBD	TBD	tCK(a vg)/2	22
DQS_t, DQS_c differential output low time	tQSL	TBD	TBD	TBD	TBD	TBD	TBD	tCK(a vg)/2	21
MPSM Timing									
Command path disable delay upon MPSM entry	tMPED	tMOD(min) + tCPDED(min)	-	tMOD(min) + tCPDED(min)	-	tMOD(min) + tCPDED(min)	-		
Valid clock requirement after MPSM entry	tCKMPE	tMOD(min) + tCPDED(min)	-	tMOD(min) + tCPDED(min)	-	tMOD(min) + tCPDED(min)	-		
Valid clock requirement before MPSM exit	tCKMPX	tCKSRX(min)	-	tCKSRX(min)	-	tCKSRX(min)	-		
Exit MPSM to commands not requiring a locked DLL	tXMP	TBD	-	TBD	-	TBD	-		
Exit MPSM to commands requiring a locked DLL	tXMPDLL	tXMP(min) + tXSDLL(min)	-	tXMP(min) + tXSDLL(min)	-	tXMP(min) + tXSDLL(min)	-		
CS setup time to CKE	tMPX_S	TBD	-	TBD	-	TBD	-		
CS hold time to CKE	tMPX_H	TBD	-	TBD	-	TBD	-		
Calibration Timing									
Power-up and	tZQinit	1024	-	1024	-	1024	-	nCK	

Speed		DDR4-1600		DDR4-1866		DDR4-2133		Units	Notes
Parameter	Symbol	MIN	MAX	MIN	MAX	MIN	MAX		
RESET calibration time									
Normal operation Full calibration time	tZQoper	512	-	512	-	512	-	nCK	
Normal operation Short calibration time	tZQCS	128	-	128	-	128	-	nCK	
Reset/Self Refresh Timing									
Exit Reset from CKE HIGH to a valid command	tXPR	max (5nCK,tRFC(min) + 10ns)	-	max (5nCK,tRFC(min) + 10ns)	-	max (5nCK,tRFC(min) + 10ns)	-		
Exit Self Refresh to commands not requiring a locked DLL	tXS	tRFC(min)+10ns	-	tRFC(min)+10ns	-	tRFC(min)+10ns	-		
SRX to commands not requiring a locked DLL in Self Refresh ABORT	tXS_ABORT(min)	tRFC4(min)+10ns	-	tRFC4(min)+10ns	-	tRFC4(min)+10ns	-		
Exit Self Refresh to ZQCL,ZQCS and MRS (CL,CWL,WR, RTP and Gear Down)	tXS_FAST (min)	tRFC4(min)+10ns	-	tRFC4(min)+10ns	-	tRFC4(min)+10ns	-		
Exit Self Refresh to commands requiring a locked DLL	tXSDLL	tDLLK(min)	-	tDLLK(min)	-	tDLLK(min)	-		
Minimum CKE low width for Self refresh entry to exit timing	tCKESR	tCKE(min)+1nCK	-	tCKE(min)+1nCK	-	tCKE(min)+1nCK	-		
Valid Clock Requirement after Self Refresh Entry (SRE) or Power-Down Entry (PDE)	tCKSRE	max(5nCK,10ns)	-	max(5nCK,10ns)	-	max(5nCK,10ns)	-		
Valid Clock Requirement after Self Refresh Entry (SRE) or Power-Down when CA Parity is	tCKSRE_PAR	max (5nCK,10ns)+PL	-	max (5nCK,10ns)+PL	-	max (5nCK,10ns)+PL	-		

Speed		DDR4-1600		DDR4-1866		DDR4-2133		Units	Notes
Parameter	Symbol	MIN	MAX	MIN	MAX	MIN	MAX		
enabled									
Valid Clock Requirement before Self Refresh Exit (SRX) or Power-Down Exit (PDX) or Reset Exit	tCKSRX	max(5nCK,10ns)	-	max(5nCK,10ns)	-	max(5nCK,10ns)	-		
Power Down Timing									
Exit Power Down with DLL on to any valid command; Exit Precharge Power Down with DLL frozen t commands not requiring a locked DLL	tXP	max (4nCK,6ns)	-	max (4nCK,6ns)	-	max (4nCK,6ns)	-		
Exit Precharge Power Down with DLL frozen to commands requiring a locked DLL	tXPDLL	max (10nCK, 24ns)	-	max (10nCK, 24ns)	-	max (10nCK, 24ns)	-		3
CKE minimum pulse width	tCKE	max (3nCK, 5ns)	-	max (3nCK, 5ns)	-	max (3nCK, 5ns)	-		32,33
Command pass disable delay	tCPDED	4	-	4	-	4	-		
Power Down Entry to Exit Timing	tPD	tCKE(min)	9*tREFI	tCKE(min)	9*tREFI	tCKE(min)	9*tREFI		6
Timing of ACT command to Power Down entry	tACTPDEN	1	-	1	-	2	-		7
Timing of PRE or PREA command to Power Down entry	tPRPDEN	1	-	1	-	2	-		7
Timing of RD/RDA command to Power Down entry	tRDPDEN	RL+4+1	-	RL+4+1	-	RL+4+1	-	nCK	
Timing of WR command to Power Down entry (BL8OTF,	tWRPDEN	WL+4+(tWR/tCK(avg))	-	WL+4+(tWR/tCK(avg))	-	WL+4+(tWR/tCK(avg))	-	nCK	4

Datasheet	6/29/17
PS9VRxx72x4xxx	Viking Technology
Revision E	Page 42 of 61

Speed		DDR4-1600		DDR4-1866		DDR4-2133		Units	Notes
Parameter	Symbol	MIN	MAX	MIN	MAX	MIN	MAX		
BL8MRS, BC4OTF)									
Timing of WRA command to Power Down entry (BL8OTF, BL8MRS, BC4OTF)	tWRAPDEN	WL+4+WR+1	-	WL+4+WR+1	-	WL+4+WR+1	-	nCK	5
Timing of WR command to Power Down entry (BC4MRS)	tWRPBC4DEN	WL+2+(tWR/tCK(avg))	-	WL+2+(tWR/tCK(avg))	-	WL+2+(tWR/tCK(avg))	-	nCK	4
Timing of WRA command to Power Down entry (BC4MRS)	tWRAPBC4DEN	WL+2+WR+1	-	WL+2+WR+1	-	WL+2+WR+1	-	nCK	5
Timing of REF command to Power Down entry	tREFPDEN	1	-	1	-	2	-	nCK	7,8
Timing of MRS command to Power Down entry	tMRSPDEN	tMOD(min)	-	tMOD(min)	-	tMOD(min)	-		
PDA Timing									
Mode Register Set command cycle time in PDA mode	tMRD_PDA	max(16nCK,10 ns)	-	max(16nCK,10 ns)	-	max(16nCK,10 ns)	-		
Mode Register Set command update delay in PDA mode	tMOD_PDA	tMOD		tMOD		tMOD			
ODT Timing									
Asynchronous RTT turn-on delay (Power-Down with DLL frozen)	tAONAS	1	9	1	9	1	9	ns	
Asynchronous RTT turn-off delay (Power-Down with DLL frozen)	tAOFAS	1	9	1	9	1	9	ns	
RTT dynamic change skew	tADC	0.3	0.7	0.3	0.7	0.3	0.7	tCK(avg)	
Write Leveling Timing									
First DQS_t/DQS_n rising edge after write leveling mode	tWLMRD	40	-	40	-	40	-	nCK	13

Speed		DDR4-1600		DDR4-1866		DDR4-2133		Units	Notes
Parameter	Symbol	MIN	MAX	MIN	MAX	MIN	MAX		
is programmed									
DQS _t /DQS _n delay after write leveling mode is programmed	tWLDQSE N	25	-	25	-	25	-	nCK	13
Write leveling setup time from rising CK _t , CK _c crossing to rising DQS _t /DQS _n crossing	tWLS	0.13	-	0.13	-	0.13	-	tCK(a vg)	
Write leveling hold time from rising DQS _t /DQS _n crossing to rising CK _t , CK _c crossing	tWLH	0.13	-	0.13	-	0.13	-	tCK(a vg)	
Write leveling output delay	tWLO	0	9.5	0	9.5	0	9.5	ns	
Write leveling output error	tWLOE							ns	
CA Parity Timing									
Commands not guaranteed to be executed during this time	tPAR_UN KNOWN	-	Max(2nC K,3ns)	-	Max(2nC K,3ns)	-	Max(2nC K,3ns)		
Delay from errant command to ALERT _n assertion	tPAR_ALE RT_ON	-	PL+6ns	-	PL+6ns	-	PL+6ns		
Pulse width of ALERT _n signal when asserted	tPAR_ALE RT_PW	48	96	56	112	64	128	nCK	
Time from when Alert is asserted till controller must start providing DES commands in Persistent CA parity mode	tPAR_ALE RT_RSP	-	43	-	50	-	57	nCK	
Parity Latency [1715.64, JC42.3C]	PL	4		4		4		nCK	
CRC Error Reporting									
CRC error to ALERT _n latency	tCRC_AL ERT	-	13	-	13	-	13	ns	

Datasheet	6/29/17
PS9VRxx72x4xxx	Viking Technology
Revision E	Page 44 of 61

Speed		DDR4-1600		DDR4-1866		DDR4-2133		Units	Notes
Parameter	Symbol	MIN	MAX	MIN	MAX	MIN	MAX		
CRC ALERT_n pulse width	CRC_ALERT_PW	6	10	6	10	6	10	nCK	
Write recovery time when CRC and DM are enabled	tWR_CRC_DM	tWR+max (4nCK,3.75ns)	-	tWR+max (5nCK,3.75ns)	-	tWR+max (5nCK,3.75ns)	-	ns	10
delay from start of internal write transaction to internal delay from start of internal write transaction to internal read command for different bank group with both CRC and DM enabled	tWTR_S_CRC_DM	tWTR_S+max (4nCK,3.75ns)	-	tWTR_S+max (5nCK,3.75ns)	-	tWTR_S+max (5nCK,3.75ns)	-	ns	11
delay from start of internal write transaction to internal delay from start of internal write transaction to internal read command for same bank group with both CRC and DM enabled	tWTR_L_CRC_DM	tWTR_L+max (4nCK,3.75ns)	-	tWTR_L+max (5nCK,3.75ns)	-	tWTR_L+max (5nCK,3.75ns)	-	ns	12
Geardown timing									
Exit RESET from CKE HIGH to a valid MRS geardown (T2/Reset)	tXPR_GEAR	tXPR		tXPR					
CKE HIGH Assert Geardown Enable time(T2/CKE)	tXS_GEAR	tXS		tXS					
MRS command to Sync pulse time(T3)	tSYNC_GEAR	tMOD(min)+4nCK		tMOD(min)+4nCK					28
Sync pulse to First valid command(T4)	tCMD_GEAR	Tbd		tbd		tbd			28
Geardown setup time	tGEAR_setup	tbd	tbd	tbd	tbd	tbd	tbd	nCK	
Geardown hold	tGEAR_hold	tbd	tbd	tbd	tbd	tbd	tbd	nCK	

Speed		DDR4-1600		DDR4-1866		DDR4-2133		Units	Notes
Parameter	Symbol	MIN	MAX	MIN	MAX	MIN	MAX		
time	ld								
tREFI									
tRFC1 (min)	2Gb	160	-	160	-	160	-	ns	
	4Gb	260	-	260	-	260	-	ns	
	8Gb	350	-	350	-	350	-	ns	
	16Gb	TBD by JEDEC board spec)	-	TBD	-	TBD	-	ns	
tRFC2 (min)	2Gb	110	-	110	-	110	-	ns	
	4Gb	160	-	160	-	160	-	ns	
	8Gb	260	-	260	-	260	-	ns	
	16Gb	TBD by JEDEC board spec)	-	TBD	-	TBD	-	ns	
tRFC4 (min)	2Gb	90	-	90	-	90	-	ns	
	4Gb	110	-	110	-	110	-	ns	
	8Gb	160	-	160	-	160	-	ns	
	16Gb	TBD by JEDEC board spec)	-	TBD	-	TBD	-	ns	

Timing Parameters by Speed Grade, continued

Speed		DDR4-2400							
Parameter	Symbol	MIN	MAX						
Clock Timing									
Minimum Clock Cycle Time (DLL off mode)	tCK(DLL_OFF)	8	-						-
Average Clock Period	tCK(avg)	See Speed Bins Table						ps	
Average high pulse width	tCH(avg)	0.48	0.52						
Average low pulse width	tCL(avg)	0.48	0.52						
Absolute Clock Period	tCK(abs)	tCK(avg)min + tJIT(per)min_tot	tCK(avg)max + tJIT(per)max_tot						
Absolute clock HIGH pulse width	tCH(abs)	0.45	-						
Absolute clock Low pulse width	tCL(abs)	0.45	-						
Clock Period Jitter- total	JIT(per)_tot	42	42						
Clock Period Jitter-deterministic	JIT(per)_dj	tbd							
Clock Period Jitter during DLL locking period	tJIT(per, lck)	tbd							
Cycle to Cycle Period Jitter	tJIT(cc)_tot	83							
Cycle to Cycle Period Jitter-deterministic	tJIT(cc)_dj	Tbd							
Cycle to Cycle Period Jitter during DLL locking period	tJIT(cc, lck)	Tbd							
Duty cycle Jitter	tJIT(duty)	Tbd							
Cumulative error across 2 cycles	tERR(2per)	tbd							
Cumulative error across 3 cycles	tERR(3per)	tbd							
Cumulative error across 4 cycles	tERR(4per)	tbd							
Cumulative error across 5 cycles	tERR(5per)	tbd							
Cumulative	tERR(6per)	tbd							

Speed		DDR4-2400							
Parameter	Symbol	MIN	MAX						
error across 6 cycles)								
Cumulative error across 7 cycles	tERR(7per)	tbd							
Cumulative error across 8 cycles	tERR(8per)	tbd							
Cumulative error across 9 cycles	tERR(9per)	tbd							
Cumulative error across 10 cycles	tERR(10per)	tbd							
Cumulative error across 11 cycles	tERR(11per)	tbd							
Cumulative error across 12 cycles	tERR(12per)	tbd							
Cumulative error across n = 13, 14 ... 49, 50 cycles	tERR(nper)	Tbd							

Command and Address Timing									
CAS_n to CAS_n command delay for same bank group	tCCD_L	6	-						
CAS_n to CAS_n command delay for different bank group	tCCD_S	4	-						
ACTIVATE to ACTIVATE Command delay to different bank group for 2KB page size	tRRD_S(2K)	Max(4nCK,5.3ns)	-						
ACTIVATE to ACTIVATE Command delay to different bank group for 1KB page size	tRRD_S(1K)	Max(4nCK,3.3ns)	-						
ACTIVATE to ACTIVATE Command delay to different bank group for	tRRD_S(1/2K)	Max(4nCK,3.3ns)	-						

Datasheet	6/29/17
PS9VRxx72x4xxx	Viking Technology
Revision E	Page 48 of 61

Speed		DDR4-2400							
Parameter	Symbol	MIN	MAX						
1/2KB page size									
ACTIVATE to ACTIVATE Command delay to same bank group for 2KB page size	tRRD_L(2K)	Max(4nCK,6.4ns)	-						
ACTIVATE to ACTIVATE Command delay to same bank group for 1KB page size	tRRD_L(1K)	Max(4nCK,4.9ns)	-						
ACTIVATE to ACTIVATE Command delay to same bank group for 1/KB page size	tRRD_L(1/2K)	Max(4nCK,4.9ns)	-						
Four activate window for 2KB page size	tFAW_2K	30							
Four activate window for 1KB page size	tFAW_1K	21							
Four activate window for 1KB page size	tFAW_1/2K	13							
Delay from start of internal write transaction to internal read command for different bank group	tWTR_S	max(2nCK,2.5ns)	-						
Delay from start of internal write transaction to internal read command for same bank group	tWTR_L	max(4nCK,7.5ns)	-						
Internal READ Command to PRECHARGE Command delay	tRTP	max(4nCK,7.5ns)	-						
WRITE recovery time	tWR	15	-						
WRITE recovery time when CRC and DM are	tWR_CRC_DM	tWR+max(5nCK,3.75ns)	-						

Speed		DDR4-2400							
Parameter	Symbol	MIN	MAX						
enabled									
Delay from start of internal write transaction to internal read command for different bank groups with both CRC and OM enabled	tWTR_S_CRC_DM	tWTR_S+max(5nCK,3.75ns)	-						
Delay from start of internal write transaction to internal read command for same bank group with both CRC and OM enabled	tWTR_L_CRC_DM	tWTR_L+max(5nCK,3.75ns)	-						
DLL locking time	tDLLK	TBD							
Mode Register Set command cycle time	tMRD	8	-						
Mode Register Set command update delay	tMOD	max(24nCK,15ns)	-						
Multi-Purpose Register Recovery Time	tMPRR	1	-						
Multi-Purpose Register Write Recovery Time	tWR_MPR	tMOD (min) + AL + PL	-						
CS_n to Command Address Latency									
CS_n to Command Address Latency	tCAL	5	-						
DQS_t,DQS_c to DQ skew, per group, per access									
DQS_t,DQS_c to DQ skew, per group, per access	tDQSQ	-	tbd						
DQS_t,DQS_c to DQ skew deterministic, per group, per access	tDQSQ	-	tbd						
DQ output hold time from DQS_t,DQS_c	tQH	tbd	-						
DQ output hold time	tQH	tbd	-						

Speed		DDR4-2400							
Parameter	Symbol	MIN	MAX						
deterministic from DQS_t, DQS_c									
DQS_t, DQS_c to DQ Skew total, per group, per access; DBI enabled	tDQSQ	-	tbd						
DQ output hold time total from DQS_t, DQS_c; DBI enabled	tQH	TBD	-						
DQ to DQ offset, per group, per access referenced to DQS_t, DQS_c	tDQSQ	TBD	TBD						
DQS_t, DQS_c differential output high time	tQSH	TBD	TBD						
DQS_t, DQS_c differential output low time	tQSL	TBD	TBD						
MPSM Timing									
Command path disable delay upon MPSM entry	tMPED	tMOD(min) + tCPDED(min)	-						
Valid clock requirement after MPSM entry	tCKMPE	tMOD(min) + tCPDED(min)	-						
Valid clock requirement before MPSM exit	tCKMPX	tCKSRX(min)	-						
Exit MPSM to commands not requiring a locked DLL	tXMP	TBD	-						
Exit MPSM to commands requiring a locked DLL	tXMPDLL	tXMP(min) + tXSDLL(min)	-						
CS setup time to CKE	tMPX_S	TBD	-						
CS hold time to CKE	tMPX_H	TBD	-						
Calibration Timing									
Power-up and	tZQinit	1024	-						

Speed		DDR4-2400							
Parameter	Symbol	MIN	MAX						
RESET calibration time									
Normal operation Full calibration time	tZQoper	512	-						
Normal operation Short calibration time	tZQCS	128	-						
Reset/Self Refresh Timing									
Exit Reset from CKE HIGH to a valid command	tXPR	max(5nCK, tRFC(min) + 10ns)	-						
Exit Self Refresh to commands not requiring a locked DLL	tXS	tRFC(min)+10ns	-						
SRX to commands not requiring a locked DLL in Self Refresh ABORT	tXS_ABORT(min)	tRFC4(min)+10ns	-						
Exit Self Refresh to ZQCL, ZQCS and MRS (CL, CWL, WR, RTP and Gear Down)	tXS_FAST(min)	tRFC4(min)+ 10ns	-						
Exit Self Refresh to commands requiring a locked DLL	tXSDLL	tDLLK(min)	-						
Minimum CKE low width for Self refresh entry to exit timing	tCKESR	tCKE(min)+1nCK	-						
Valid Clock Requirement after Self Refresh Entry (SRE) or Power-Down Entry (PDE)	tCKSRE	max(5nCK, 10ns)	-						
Valid Clock Requirement after Self Refresh Entry (SRE) or Power-Down when CA Parity is	tCKSRE_PAR	max(5nCK, 10ns)+PL	-						

Datasheet	6/29/17
PS9VRxx72x4xxx	Viking Technology
Revision E	Page 52 of 61

Speed		DDR4-2400							
Parameter	Symbol	MIN	MAX						
enabled									
Valid Clock Requirement before Self Refresh Exit (SRX) or Power-Down Exit (PDX) or Reset Exit	tCKSRX	max(5nCK,10ns)	-						
Power Down Timing									
Exit Power Down with DLL on to any valid command; Exit Precharge Power Down with DLL frozen t commands not requiring a locked DLL	tXP	max (4nCK,6ns)	-						
Exit Precharge Power Down with DLL frozen to commands requiring a locked DLL	tXPDLL	max (10nCK, 24ns)	-						
CKE minimum pulse width	tCKE	max (3nCK, 5ns)	-						
Command pass disable delay	tCPDED	4	-						
Power Down Entry to Exit Timing	tPD	tCKE(min)	9*tREFI						
Timing of ACT command to Power Down entry	tACTPDEN	2	-						
Timing of PRE or PREA command to Power Down entry	tPRPDEN	2	-						
Timing of RD/RDA command to Power Down entry	tRDPDEN	RL+4+1	-						
Timing of WR command to Power Down entry (BL8OTF,	tWRPDEN	WL+4+(tWR/tCK(avg))	-						

Datasheet	6/29/17
PS9VRxx72x4xxx	Viking Technology
Revision E	Page 53 of 61

Speed		DDR4-2400							
Parameter	Symbol	MIN	MAX						
BL8MRS, BC4OTF)									
Timing of WRA command to Power Down entry (BL8OTF, BL8MRS, BC4OTF)	tWRAPDEN	WL+4+WR+1	-						
Timing of WR command to Power Down entry (BC4MRS)	tWRPBC4DEN	WL+2+(tWR/tCK(avg))	-						
Timing of WRA command to Power Down entry (BC4MRS)	tWRAPBC4DEN	WL+2+WR+1	-						
Timing of REF command to Power Down entry	tREFPDEN	2	-						
Timing of MRS command to Power Down entry	tMRSPDEN	tMOD(min)	-						
Mode Register Set command cycle time in PDA mode	tMRD_PDA	max(16nCK, 10 ns)	-						
Mode Register Set command update delay in PDA mode	tMOD_PDA	tMOD							
ODT Timing									
Asynchronous RTT turn-on delay (Power-Down with DLL frozen)	tAONAS	1	9						
Asynchronous RTT turn-off delay (Power-Down with DLL frozen)	tAOFAS	1	9						
RTT dynamic change skew	tADC	0.3	0.7						
Write Leveling Timing									
First DQS_t/DQS_n rising edge after write leveling mode	tWLMRD	40	-						

Speed		DDR4-2400							
Parameter	Symbol	MIN	MAX						
is programmed									
DQS _t /DQS _n delay after write leveling mode is programmed	tWLDQSE N	25	-						
Write leveling setup time from rising CK _t , CK _c crossing to rising DQS _t /DQS _n crossing	tWLS	0.13	-						
Write leveling hold time from rising DQS _t /DQS _n crossing to rising CK _t , CK _c crossing	tWLH	0.13	-						
Write leveling output delay	tWLO	0	9.5						
Write leveling output error	tWLOE								
CA Parity Timing									
Commands not guaranteed to be executed during this time	tPAR_UN KNOWN	-	Max(2nC K,3ns)						
Delay from errant command to ALERT _n assertion	tPAR_ALE RT_ON	-	PL+6ns						
Pulse width of ALERT _n signal when asserted	tPAR_ALE RT_PW	72	144						
Time from when Alert is asserted till controller must start providing DES commands in Persistent CA parity mode	tPAR_ALE RT_RSP	-	64						
Parity Latency [1715.64, JC42.3C]	PL	5							
CRC Error Reporting									
CRC error to ALERT _n latency	tCRC_AL ERT	-	13						

Datasheet	6/29/17
PS9VRxx72x4xxx	Viking Technology
Revision E	Page 55 of 61

Speed		DDR4-2400							
Parameter	Symbol	MIN	MAX						
CRC ALERT_n pulse width	CRC_ALE_RT_PW	6	10						
Write recovery time when CRC and DM are enabled	tWR_CRC_DM	tWR+max (5nCK,3.75ns)	-						
delay from start of internal write transaction to internal delay from start of internal write transaction to internal read command for different bank group with both CRC and DM enabled	tWTR_S_CRC_DM	tWTR_S+max (5nCK,3.75ns)	-						
delay from start of internal write transaction to internal delay from start of internal write transaction to internal read command for same bank group with both CRC and DM enabled	tWTR_L_CRC_DM	tWTR_L+max (5nCK,3.75ns)	-						
Geardown timing									
Exit RESET from CKE HIGH to a valid MRS geardown (T2/Reset)	tXPR_GE AR								
CKE HIGH Assert Geardown Enable time(T2/CKE)	tXS_GEA R								
MRS command to Sync pulse time(T3)	tSYNC_G EAR	tMOD(min)+4n CK							
Sync pulse to First valid command(T4)	tCMD_GE AR								
Geardown setup time	tGEAR_se tup								
Geardown hold	tGEAR_ho								

Datasheet	6/29/17
PS9VRxx72x4xxx	Viking Technology
Revision E	Page 56 of 61

Speed		DDR4-2400						
Parameter	Symbol	MIN	MAX					
time	ld							
tREFI								
tRFC1 (min)	2Gb	160	-					
	4Gb	260	-					
	8Gb	350	-					
	16Gb	TBD by JEDEC board spec)	-					
tRFC2 (min)	2Gb	110	-					
	4Gb	160	-					
	8Gb	260	-					
	16Gb	TBD by JEDEC board spec)	-					
tRFC4 (min)	2Gb	90	-					
	4Gb	110	-					
	8Gb	160	-					
	16Gb	TBD by JEDEC board spec)	-					

Notes:

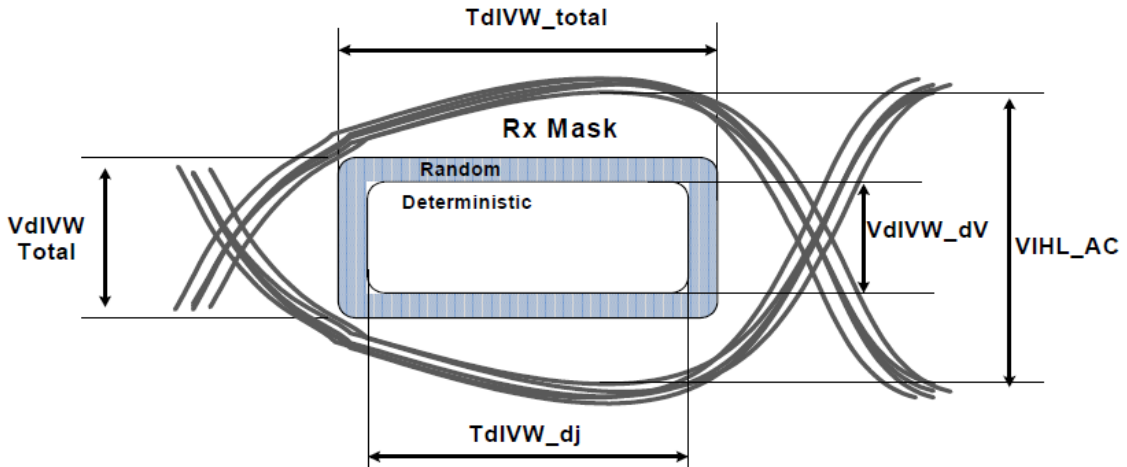
- Start of internal write transaction is defined as follows:
 For BL8 (Fixed by MRS and on-the-fly): Rising clock edge 4 clock cycles after WL.
 For BC4 (on-the-fly): Rising clock edge 4 clock cycles after WL.
 For BC4 (fixed by MRS): Rising clock edge 2 clock cycles after WL.
- A separate timing parameter will cover the delay from write to read when CRC and DM are simultaneously enabled
- Commands requiring a locked DLL are: READ (and RAP) and synchronous ODT commands.
- tWR is defined in ns, for calculation of tWRPDEN it is necessary to round up tWR/tCK to the next integer.
- WR in clock cycles as programmed in MR0.
- tREFI depends on TOPER.
- CKE is allowed to be registered low while operations such as row activation, precharge, autoprecharge or refresh are in progress, but power-down IDD spec will not be applied until finishing those operations.
- Although CKE is allowed to be registered LOW after a REFRESH command once tREFPDEN(min) is satisfied, there are cases where additional time such as tXPDLL(min) is also required. See 0.1.3 "Power-Down clarifications - Case 2" in RB11112.
 — DQ Receiver(Rx) compliance mask
- For these parameters, the DDR4 SDRAM device supports $t_{nPARAM}[nCK]=RU\{t_{PARAM}[ns]/t_{CK}(avg)[ns]\}$, which is in clock cycles assuming all input clock jitter specifications are satisfied
- When CRC and DM are both enabled, tWR_CRC_DM is used in place of tWR.
- When CRC and DM are both enabled tWTR_S_CRC_DM is used in place of tWTR_S.
- When CRC and DM are both enabled tWTR_L_CRC_DM is used in place of tWTR_L.
- The max values are system dependent.
- DQ to DQS total timing per group where the total includes the sum of deterministic and random timing terms for a specified BER. BER spec and measurement method are tbd.
- The deterministic component of the total timing. Measurement method tbd.
- DQ to DQ static offset relative to strobe per group. Measurement method tbd.
- This parameter will be characterized and guaranteed by design.
- When the device is operated with the input clock jitter, this parameter needs to be derated by the actual $t_{jit}(per)_{total}$ of the input clock. (output Deratings are relative to the SDRAM input clock). Example tbd.
- DRAM DBI mode is off.
- RFU
- tQSL describes the instantaneous differential output low pulse width on DQS_t - DQS_c, as measured from on falling edge to the next consecutive rising edge
- tQSH describes the instantaneous differential output high pulse width on DQS_t - DQS_c, as measured from on falling edge to the next consecutive rising edge
- There is no maximum cycle time limit besides the need to satisfy the refresh interval tREFI
- tCH(abs) is the absolute instantaneous clock high pulse width, as measured from one rising edge to the following falling edge
- tCL(abs) is the absolute instantaneous clock low pulse width, as measured from one falling edge to the following rising edge
- Total jitter includes the sum of deterministic and random jitter terms for a specified BER. BER are tbd.

Datasheet	6/29/17
PS9VRxx72x4xxx	Viking Technology
Revision E	Page 57 of 61

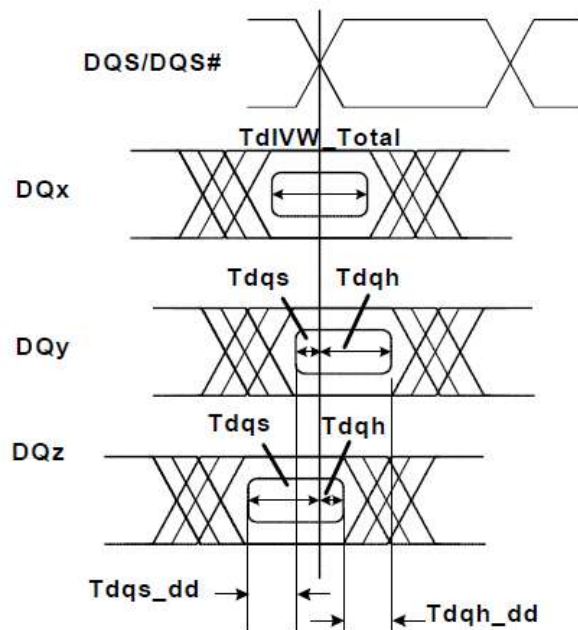
- 27. The deterministic jitter component out of the total jitter. This parameter is characterized and guaranteed by design.
- 28. This parameter has to be even number of clocks
- 29. When CRC and DM are both enabled, tWR_CRC_DM is used in place of tWR.
- 30. When CRC and DM are both enabled tWTR_S_CRC_DM is used in place of tWTR_S.
- 31. When CRC and DM are both enabled tWTR_L_CRC_DM is used in place of tWTR_L.
- 32. After CKE is registered LOW, CKE signal level shall be maintained below VILDC for tCKE specification (Low pulse width).
- 33. After CKE is registered HIGH, CKE signal level shall be maintained above VIHDC for tCKE specification (HIGH pulse width).
 $UI=tCK(avg).min/2$

Datasheet	6/29/17
PS9VRxx72x4xxx	Viking Technology
Revision E	Page 58 of 61

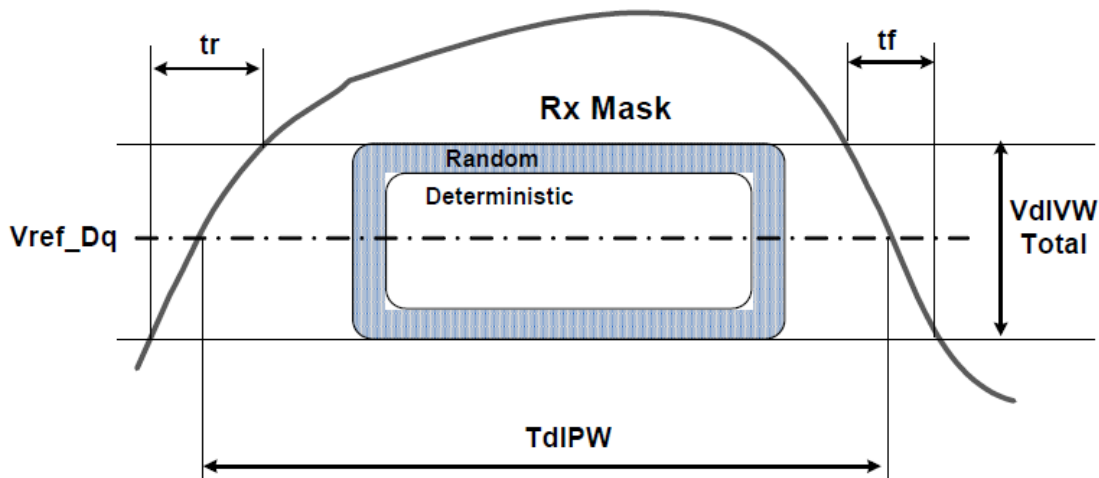
DQ input receiver compliance mask for voltage and timing



DQ to DQS timing definitions T_{dq_s} , T_{dq_h} , T_{dIVW_total} , $T_{dq_s_dd}$, $T_{dq_h_dd}$



DQ TdIPW and SRIN_dIVW definition (for each input pulse)



Note: $SRIN_dIVW = V_{dIVW_Total} / (t_r \text{ or } t_f)$

Voltage and Timing Parameters for DQ input receiver compliance mask

Symbol	Parameter	DDR4-1600 DDR4-1867 DDR4-2133		DDR4-2400 DDR4-2667		DDR4-3200		Unit	Notes
		Min	Max	Min	Max	Min	Max		
V_{dIVW_total}	Vin Rx Mask input p-p total	-	tbd	-	tbd	-	tbd	mV	1,2,3,5,7
V_{dIVW_dV}	Vin Rx input swing deterministic voltage	-	tbd	-	tbd	-	tbd	mV	1,2,6
T_{dIVW_total}	Total DQ Rx input timing window	-	tbd	-	tbd	-	tbd	UI	1,2,4,5,7
T_{dIVW_dj}	DQ Rx deterministic jitter	-	tbd	-	tbd	-	tbd	UI	1,2,6
$VIHL_AC$	DQ AC input swing pk-pk	-	tbd	-	tbd	-	tbd	mV	1,8
T_{dIPW}	DQ input pulse width	-	tbd	-	tbd	-	tbd	UI	1,9
T_{dqS}	DQ to DQS Setup offset	-	tbd	-	tbd	-	tbd	UI	1,10
T_{dqH}	DQ to DQS Hold offset	-	tbd	-	tbd	-	tbd	UI	1,10
T_{dqS_dd}	DQ to DQ Setup offset	-	tbd	-	tbd	-	tbd	UI	1,11
T_{dqH_dd}	DQ to DQ Hold offset	-	tbd	-	tbd	-	tbd	UI	1,11
$SRIN_dIVW$	Input Slew Rate over V_{dIVW}	-	tbd	-	tbd	-	tbd	V/ns	1,12

Notes:

1. For DQ in receive mode.
2. Data Rx mask voltage and timing total input valid window. Data Rx mask applied per bit post training and should include voltage and temperature drift terms. Design Target BER < tbd. Measurement method tbd.
3. Rx voltage input AC swing peak-peak requirement over the total T_{dIVW_total} .
4. Rx differential DQ to DQS jitter total timing window at the V_{dIVW} voltage levels centered at V_{ref} .
5. Defined over the DQ internal V_{ref} range 1.
6. Deterministic component of the total Rx mask voltage or timing. Parameter will be characterized and guaranteed by design. Measurement method tbd
7. Overshoot and Undershoot Specifications tbd.

Datasheet	6/29/17
PS9VRxx72x4xxx	Viking Technology
Revision E	Page 60 of 61

- 8. DQ signal swing into the receiver must meet or exceed VIH_L AC at any point over the total UI. No timing requirement above level.
- 9. DQ minimum input pulse width defined at the V_{ref} level.
- 10. DQ to DQS setup or hold offset defined within byte. T_{dqs} and T_{dqh} are the minimum hold and setup per DQ pin for a given component.
- 11. DQ to DQ setup or hold delta offset defined within byte as the static difference in T_{dqs}(max) & T_{dqs}(min) or T_{dqh}(max)-T_{dqh}(min) per device.
- 12. Input slew rate over V_{dIWW} Mask centered at V_{ref}

Datasheet	6/29/17
PS9VRxx72x4xxx	Viking Technology
Revision E	Page 61 of 61